



INSTRUCTIONS PERTAINING TO RISK OF FIRE OR INJURY TO PERSONS. READ ALL INSTRUCTIONS. IMPORTANT SAFETY INSTRUCTIONS. SAVE THESE INSTRUCTIONS.

DANGER - RISK OF SHOCK - DISCONNECT POWER BEFORE INSTALLATION! Please read all instructions before installation.

- Keep these instructions for future reference.
- Must be installed by a qualified electrician in accordance with national and local standards. Designplan is not responsible for fixtures installed without regard to these standards.
- Unauthorized alterations or tampering of product voids warranty.
- The main power connection must be in accordance with local electrical codes.
- Suitable for OUTDOOR applications.



IP68 IK10

Electrical Connections:

- LED lights must be **connected in parallel** respecting polarities.
- **CHOOSE POWER SUPPLY ACCORDINGLY.** Please consider the voltage through which fixtures are fed as well as the max power consumption.
- **Connect power only if all the fixtures are connected.**
- The power supplies **MUST** be installed in aerated rooms, far from heat sources. Overworking or lack of air circulation will not permit natural dissipation.
- Use only Class 2 type electronic power supply.
- Never use switches on secondary circuit.

ATTENTION: **For In-Grade** - It is the contractor's responsibility to seal the conduit with "Great Stuff" aerosol seal that prevents water and moisture penetration for ultimate protection. Contractor **MUST** use gel-filled wire nuts.

Maintenance

Scheduled maintenance must be carried out once a year on all lighting devices, regardless of appliance class and type of use. It must include the following operations:

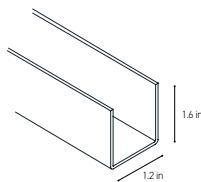
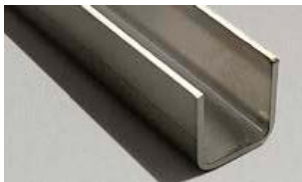
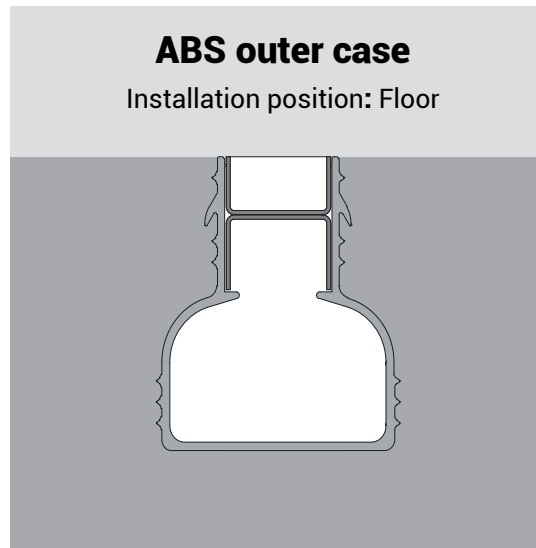
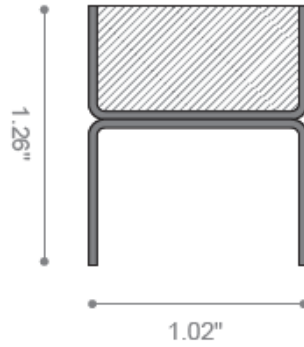
- Periodically clean fixtures to remove dirt from gratings and screw heads.
- Check tightness of screws on various parts of the device.
- Check that all cable glands and cables are intact and tight. Check that the glass or plastic lens is intact, and replace it if broken or damaged.
- The internal components such as the ballast, driver, washers and screws must not show clear signs of oxidation or rust. Clear traces of rust and oxidation will indicate the presence of water inside the device.
- In the case of damage, the components must be replaced by original components or spare parts.

DRIVE LINE L704X

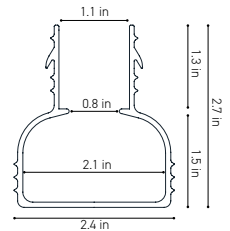
22W Per 3.3 ft (Static White), 12W Per 3.3 ft (Tunable White),
15W Per 3.3 ft (RGB), 18W Per 3.3 ft (RGBW), REMOTE 24VDC

installation instructions

FIXTURE DIMENSION:



L704X-GF
AISI 316 L steel outercase 1.2" x 1.3"
for L704X drive over model



L704-GF
ABS mounting outer case
for L704X walkable model

22W Per 3.3 ft (Static White), 12W Per 3.3 ft (Tunable White),
15W Per 3.3 ft (RGB), 18W Per 3.3 ft (RGBW), REMOTE 24VDC

installation instructions

SAFETY INSTRUCTIONS

- It is absolutely necessary to isolate the mains supply before beginning any installation, inspection, maintenance or cleaning;
- Every kind of modification or manumission of products that has to be installed and used as supplied and in compliance with current regulations is forbidden;
- If malfunctions occur, please directly contact LED ITALY Srl;
- After removing the packaging, check the integrity of the product;
- The transport and storage of the luminaire must be in the original packaging.
- Mechanical stress of L740X and its components has to be absolutely avoided.
- Read and don't remove the product label.
- Installation and operating of this luminaire are subject to international safety regulations. The manufacturer is not liable for damage caused by improper use. Any unapproved modification could void the manufacturer's warranty;
- Observe correct electrical polarity. Wrong polarity can destroy the modules.
- Installation of LED bar (with power supplies) needs to be made with regards to all applicable electrical and safety standards. Only qualified personnel should be allowed to perform installations.
- To protect the surface from dirt and fingerprints, we recommend the use of protective gloves during installation.
- Pay attention to the allowable ambient conditions under which the luminaire may be operated.
- Do not cover luminaire and control gear to prevent overheating.

MAINTENANCE

- Attention: previously cut off the mains supply and allow system to cool down,;
- Clean the appliance regularly with a smooth damp cloth. Use only water and neutral soap.
- Avoiding the use of chemical solvents and/or abrasive cloths.
- Detergents must have a low solid content for easy removal.
- It is important to make sure that the detergents that are used for cleaning must be removed once the washing is finished, either manually or by simple evaporation;
- Check that there are no cleaning products in contact with the luminaires for a long time;
- Do NOT use pressure washers. The pressure of the water jet can damage the surface of the the luminaires.

CHEMICAL SUBSTANCES INCOMPATIBLE WITH POLYURETHANE RESIN

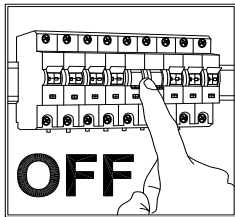
List of chemical substances that can interact with two-component polyurethane resins, causing deterioration and cracking of the structure:

- Acetone
- Methylene chloride
- Toluene, Xylene, Benzene, Diesel in general
- Turpentine
- Hydrochloric acid
- Sulfuric acid
- Nitric acid
- Caustic soda or potash
- Some anti-algae or anti-fungus products on the market
- Non-neutral soaps or detergents

In general, the combination of a strong jet of pressurized water, at temperatures greater than or equal to 40°C, with the addition of one of these substances significantly increases the possibility that the polyurethane will be degraded in just 6 months.

The **CHEMICALS THAT DO NOT ATTACK RESINS ARE** polyurethane, chlorine in various forms and bleach (sodium hypochlorite), neutral soaps, weak acids and bases and polar protic solvents, methanol, ethanol, propanol, butanol

FIXTURE INSTALLATION

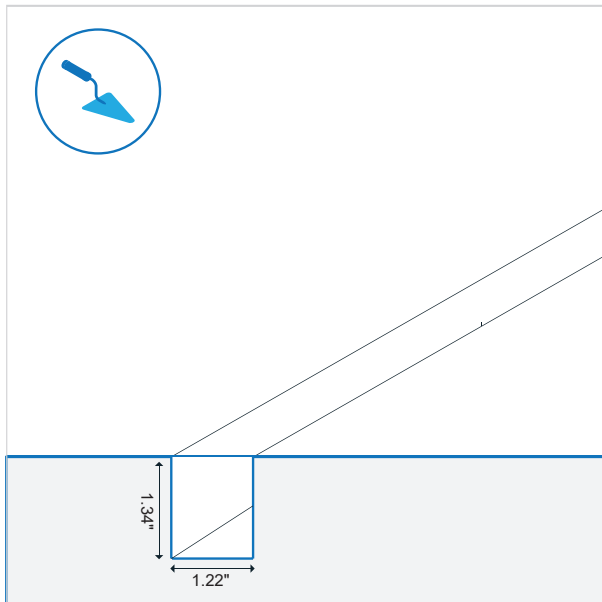


- It is the contractor's responsibility to caulk around all the edges between the fixture and the mounting surface, to satisfy wet label requirements.
- It is the contractor's responsibility to install Remote Driver in a suitable electrical enclosure.

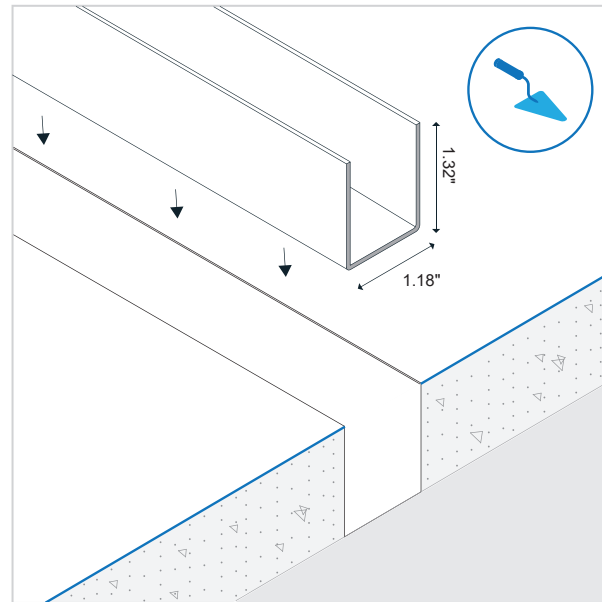
Mounting instruction with STAINLESS STEEL outer case

The L704X IP68 bar is made on custom size length. Maximum length is 98.4".

A one meter power cable for electrical connection is included, 24 VDC remote driver (not included).



- 01.** Create the installation plan with correct sizes.
Create the path for the corrugated pipe for the power supply.

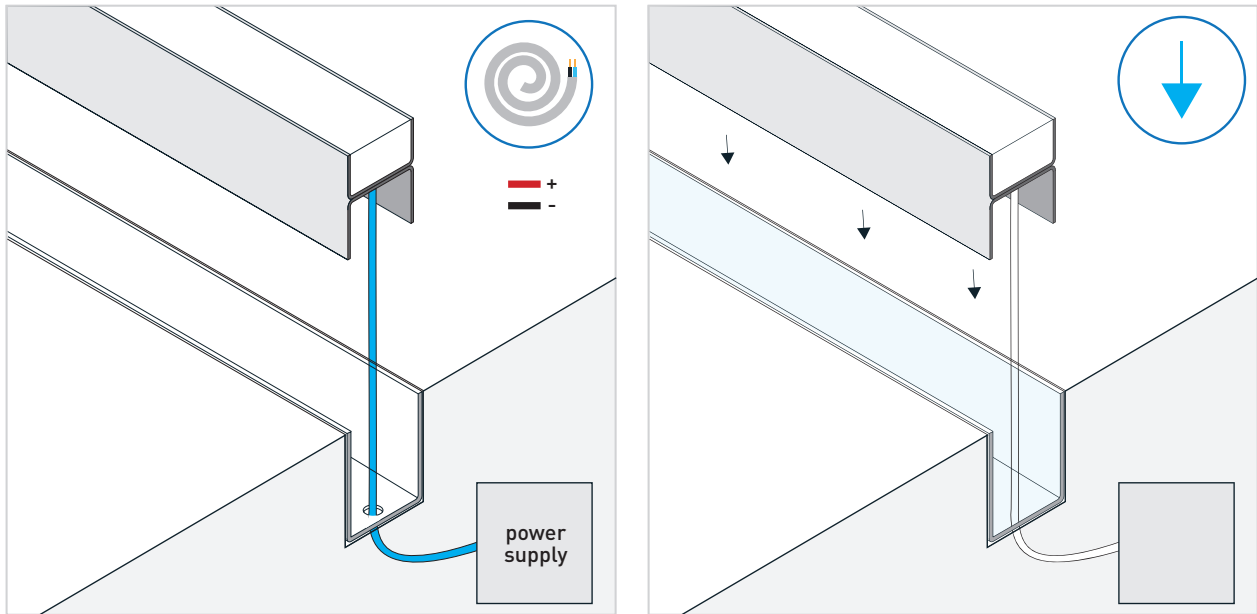


- 02.** Place the mounting outer case on a horizontal and levelled surface.
After fixing the outer casing you can putty with concrete any holes on the sides of the outer casing.

DRIVE LINE L704X

22W Per 3.3 ft (Static White), 12W Per 3.3 ft (Tunable White),
15W Per 3.3 ft (RGB), 18W Per 3.3 ft (RGBW), REMOTE 24VDC

installation instructions

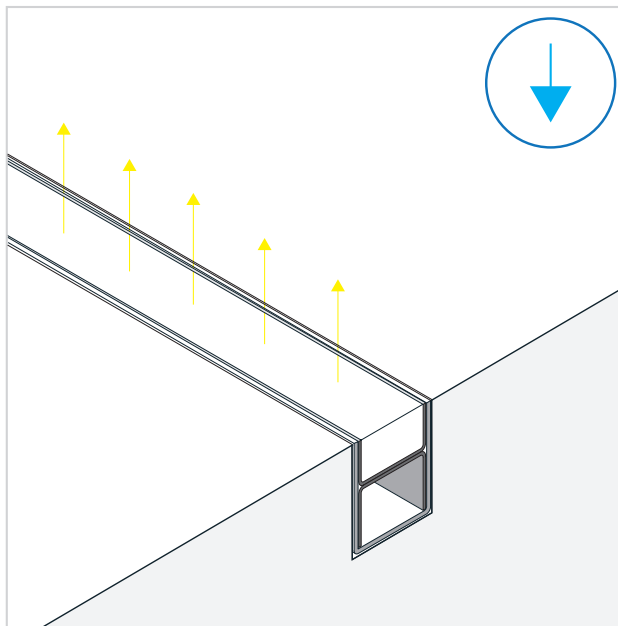
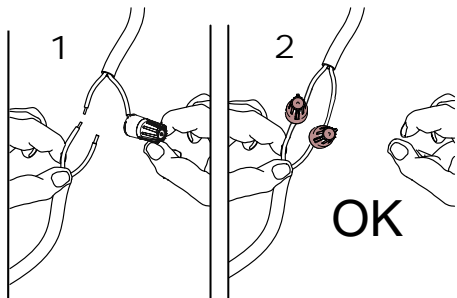


03. Connect the luminaire to the power supply, respecting the polarities.

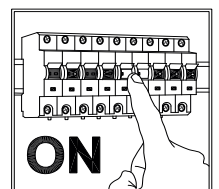
04. Palce the luminaire in the the mounting outer case.



Use gel-filled waterproof wire-nuts for wire connections.



05. Turn on the device.



DRIVE LINE L704X

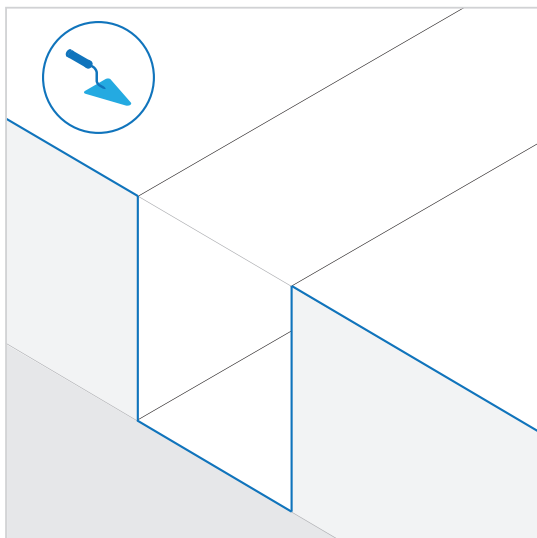
22W Per 3.3 ft (Static White), 12W Per 3.3 ft (Tunable White),
15W Per 3.3 ft (RGB), 18W Per 3.3 ft (RGBW), REMOTE 24VDC

installation instructions

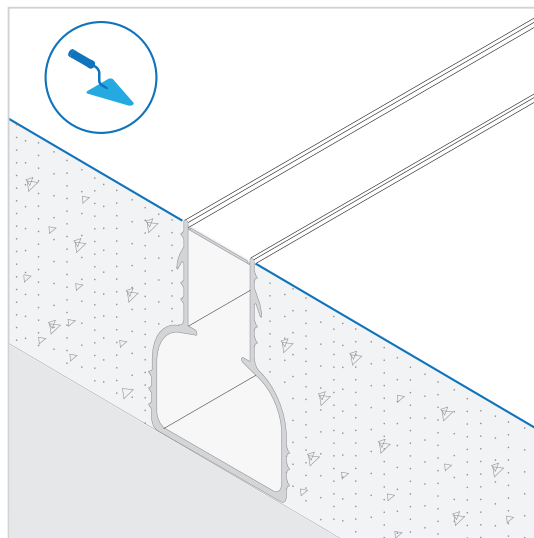
Mounting instruction with ABS outer case

The L704X IP68 bar is made on custom size length. Maximum length is 98.4".

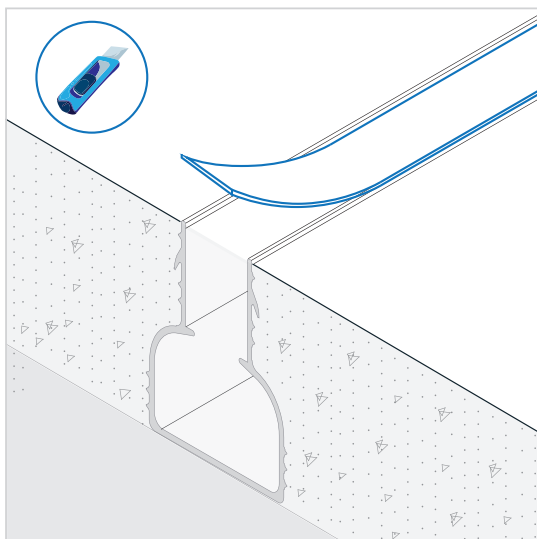
A one meter power cable for electrical connection is included, 24 VDC remote driver (not included).



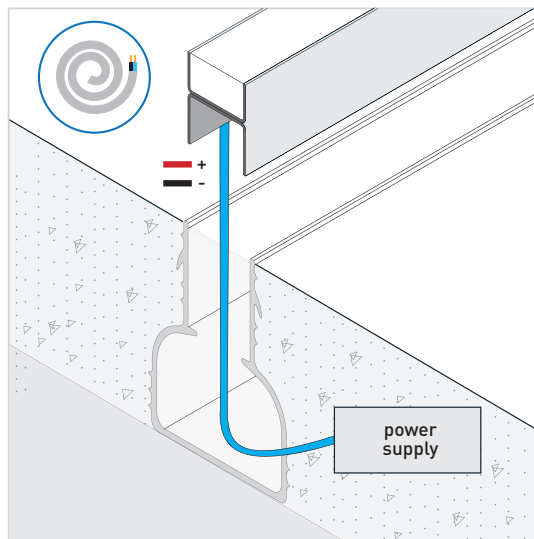
01. Create the installation plan.
Create the path for the corrugated pipe for the power supply.



02. Place the mounting outer case on a horizontal and levelled surface. Make sure that the top of the formwork is flush with the floor.
After fixing the outer casing you can putty with concrete any holes on the sides of the outer casing.



03. Remove the cover of the formwork using a cutter.



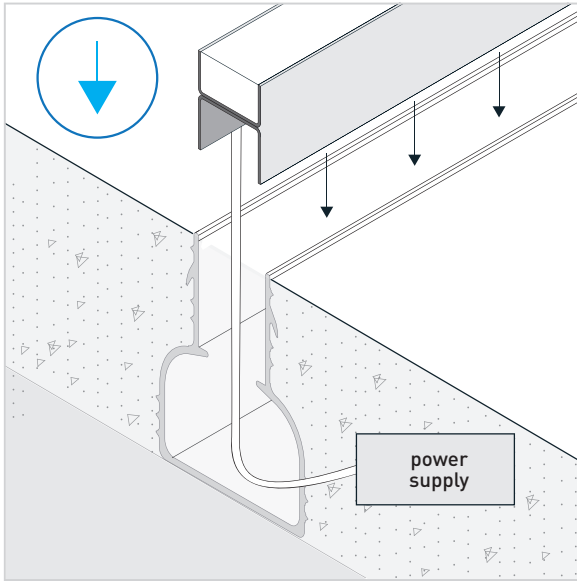
04. Connect the luminaire to the power supply, respecting the polarities.

DRIVE LINE L704X

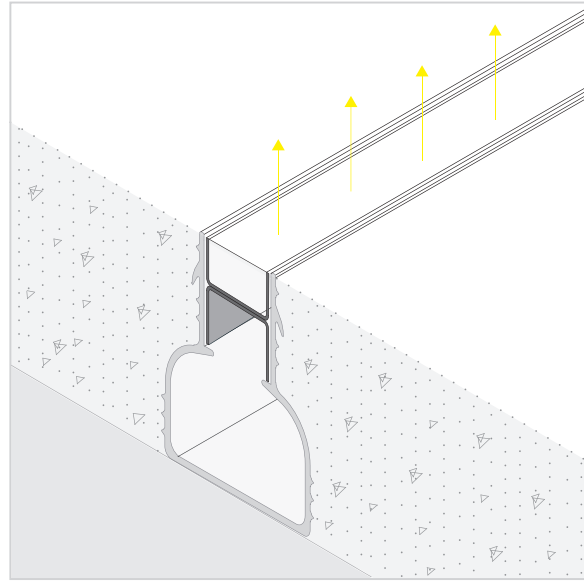
22W Per 3.3 ft (Static White), 12W Per 3.3 ft (Tunable White),
15W Per 3.3 ft (RGB), 18W Per 3.3 ft (RGBW), REMOTE 24VDC

installation instructions

Mounting instruction with ABS outer case



05. Palce the luminaire in the the mounting outer case.



06. Turn on the device.

Composition example

