

KA4 is an LED bollard with a Ø3.3" round head, a larger version of the Kahlo bollard, suitable for outdoor installation. It is offered in 2 heights – 2-foot or 3-foot – with 5 color temperatures, 3 optics options, and 5 standard finishes. Dark Sky compliant.

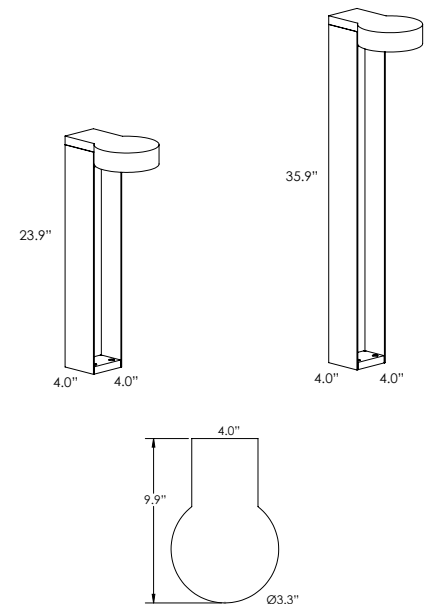


MADE IN THE U.S.A.

TECHNICAL DATA

Wattage	30W
Power Supply	Integral 120-277VAC
Dimming	0-10V Dimming
Construction	Body: Aluminum Lens: Clear
CCT	2200K, 2700K, 3000K, 4000K RGBW (with Integral DMX decoder)
BUG Rating	B2-U0-G0 (24°, 36° - 3000K) B1-U0-G0 (Asym - 3000K)
CRI	>90
Delivered Lumens	1953 lm (24°, 3000K) 1846 lm (36°, 3000K) 2139 lm (Asym, 3000K) Dark Sky compliant
Efficacy	72.3 lm/W (24°, 3000K) 68.4 lm/W (36°, 3000K) 79.2 lm/W (Asym, 3000K)
Optics	24°, 36°, Asymmetric
Finishes	5 Standard - See page 2 Custom RAL on request
Fixture Dimensions	Pole: 4.0" w x 4.0" d x 24.0" or 36.0" h Head: Ø3.3" x 9.9"
IP Rating	IP65

Fixture Dimensions



ORDERING INFORMATION

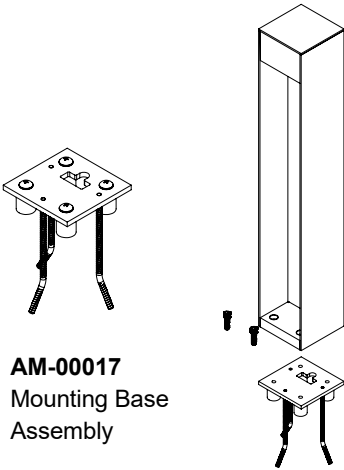
Example: KA4-L-2-30-01-11-C-0. Accessories ordered separately.

KA4-L	-		-		-		-	C	-	0
Model #	Height	CCT	Optics	Finish	Dimming	Options				
KA4-L	2 - 2 ft. 3 - 3 ft.	22 - 2200K 27 - 2700K 30 - 3000K 40 - 4000K RG - RGBW	01 - 24° 02 - 36° 03 - Asymmetric	11 - White Suede 02 - Black Suede 03 - Gray 18 - Textured Bronze TS - Silver C - Custom	C - Integral 120-277VAC 0-10V Dimming (for static white only)	0 - None				

Job Name/Date:

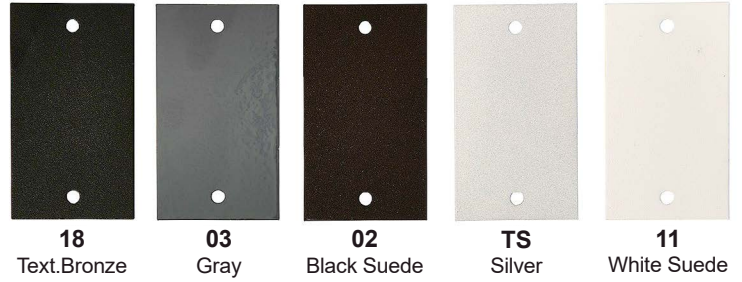
Fixture Type Designation:

ACCESSORIES - Installation



AM-00017
Mounting Base
Assembly

FINISHES

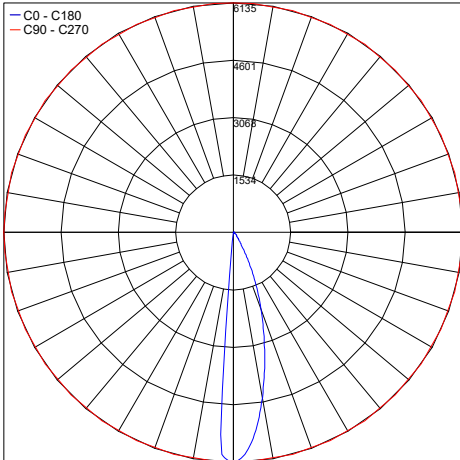


18 Text. Bronze **03** Gray **02** Black Suede **TS** Silver **11** White Suede

PHOTOMETRICS

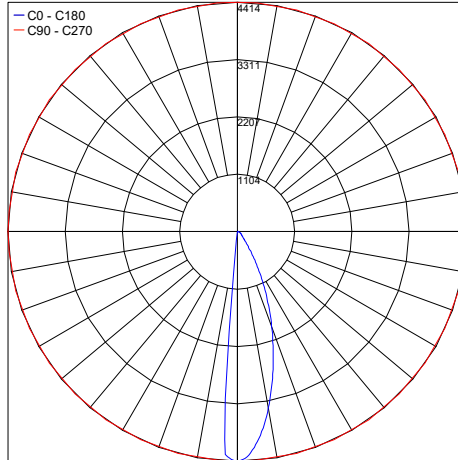
Note: all photometry is 3000K

Maximum Candela = 6135



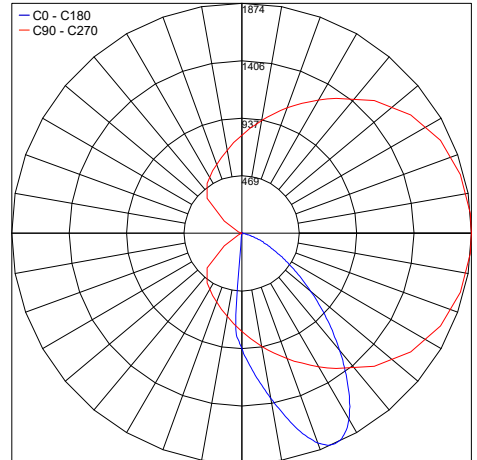
PHOTOMETRIC FILENAME : KA4-KL4_3FT 30K 24° BLK_LLI002721-001.IES

Maximum Candela = 4414



PHOTOMETRIC FILENAME : KA4-KL4_3FT 30K 36° BLK_LLI002721-002.IES

Maximum Candela = 1874



PHOTOMETRIC FILENAME : KA4-KL4_3FT 30K ASYM BLK_LLI002721-003.IES

Job Name/Date:

Fixture Type Designation: