

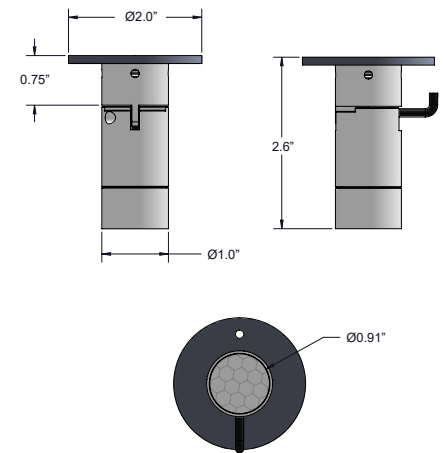
Minnie is a miniature, adjustable surface mounted luminaire that can be installed on ceilings or walls. It is less than 1-inch in diameter, and available in 3 static white color temperatures and 3 standard finishes.



TECHNICAL DATA

Wattage	4W
Power Supply.	Remote 220mA, not included. See page 2
Construction	Body: Aluminum Lens: Glass
CCT	3000K
CRI	>90
BUG Rating	B1-U0-G0 (3000K)
Delivered Lumens	424 lm (3000K, 25°)
Efficacy	84.8 lm/W
Optics	25°, 50°
LED Source	BRIDGELUX GEN8 COB LED
Finishes	3 Standard Custom RAL on request
Fixture Dimensions	Ø0.91" x 2.48" h Base: Ø2.0"
IP Rating	IP67

Fixture Dimensions



ORDERING INFORMATION

Example: MIN-L-30-96-25-H-R-0. Power Supplies ordered separately.

MIN-L	-	30	-		-		-		R	-	0
Model #	CCT	Finish	Optics	Lens	Dimming / Driver	Options					
MIN-L	30 - 3000K	11 - White Suede 97 - Black Anodized 96 - Silver Anodized C - Custom	25 - 25° 50 - 50°	H - Clear w/ Honeycomb C - Clear L - Linear	R - Remote Driver (Static White, Dim to Warm, RGBW)	0 - None					

Job Name/Date:

Fixture Type Designation:

SUGGESTED POWER SUPPLIES

Static White - 220mA

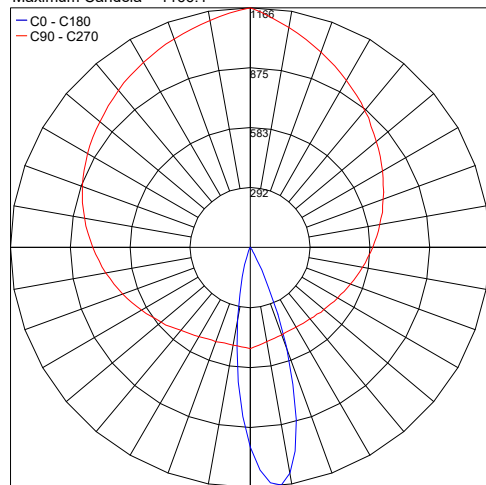
Part Number	Description	Input/Output	# of Fixtures
PPLT00466-P	0-10V Dimming to 1.0%	120-277VAC to 220mA, 10W, Class 2, DAMP	1-2
PPLT00309-P	0-10V Dimming to 0.1%	120-277VAC to 220mA, 50W, Class 2, DAMP	1-3
PPLT00467-P	0-10V Dimming to 1.0%	120-277VAC to 220mA, 50W, Class 2, DAMP	1-3

For other power supply options consult factory.

PHOTOMETRIC DATA

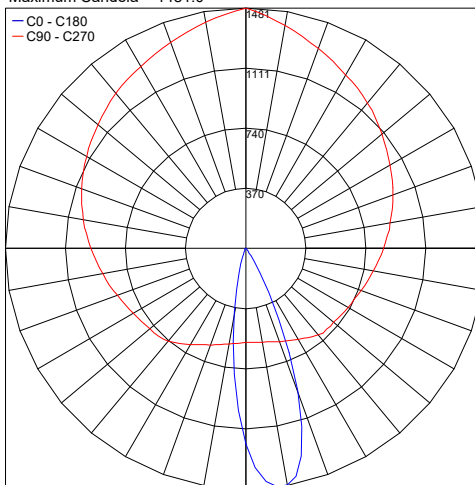
Note: Photometry is 3000K

Maximum Candela = 1166.1



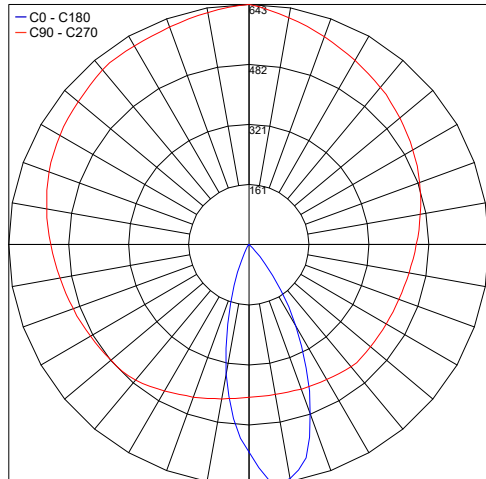
PHOTOMETRIC FILENAME : MINNIE-4W-3000K-24°-WITH HONEYCOMB.IES

Maximum Candela = 1481.0



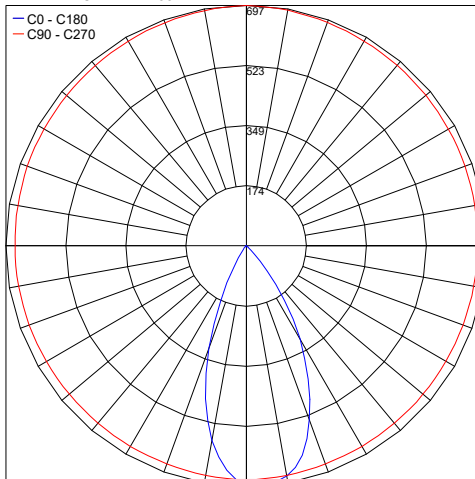
PHOTOMETRIC FILENAME : MINNIE-4W-3000K-24°-WITHOUT HONEYCOMB.IES

Maximum Candela = 642.9



PHOTOMETRIC FILENAME : MINNIE-4W-3000K-50°-WITH HONEYCOMB.IES

Maximum Candela = 697.4



PHOTOMETRIC FILENAME : MINNIE-4W-3000K-50°-WITHOUT HONEYCOMB.IES

Job Name/Date:

Fixture Type Designation: