

GINKO 4.5

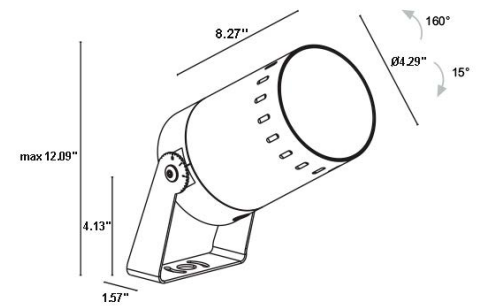
Ginko is a family of small, versatile outdoor floodlights. Ginko 4.5 is an IP66-rated, high performance framing projector that has a diameter of 4.3" with light shaper and zoom optics. Available in 3 color temperatures and 4 standard finishes. Customized Gobo to project logos / words on request.



TECHNICAL DATA

Wattage / Input	25W (24VDC)
Power Supply	Remote, not included. See page 2.
Construction	Body: Anti-corrosive Aluminum Alloy Bracket: 316L Stainless Steel Lens: Serigraphed-gray & Tempered Extra-clear Glass Cable Length: 4.9' standard
CCT	2700K, 3000K, 4000K
CRI	>90
BUG Rating	B2-U0-G0 (3000K, Light Shaper, Zoom) B1-U0-G0 (3000K, Light Shaper Zoom)
Delivered Lumens	1113 lm (3000K, Light Shaper)
Efficacy	44.5 lm/W (3000K, Light Shaper)
Optics	Light Shaper, Light Shaper Zoom
Finishes	4 Standard, Custom RAL (see below) (4 Stage Marine Grade Finish)
Fixture Dimensions	Ø4.29" x 8.27" x 4.13" h (max 12.09" h fully extended), 1.57" wide bracket
Gobo Dimensions	Ø24.15 mm (Ø 0.95")
Fixture Weight	7.39-7.72 lbs
LED Source	1 High Density COB LED
Lumen Maintenance	L95, B10 >50,000 hrs (Ta 25°C)
Color Consistency	2-Step MacAdam
Operating Temp.	-4°F to +113°F
IP Rating	IP66
Impact Rating	IK08

Fixture Dimensions



See page 2 for more drawings with optics

ORDERING INFORMATION

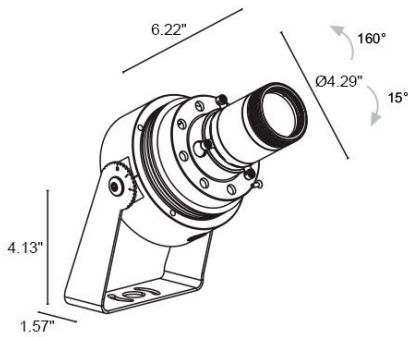
Example: GN45001000FR9T. Accessories / Power Supplies ordered separately.

GN4500	1000				
Model No.	CRI	CCT	Optics	Finish	Cable Length
GN4500	1000 - CRI 90	F - 2700K 5 - 3000K 9 - 4000K	R9 - Light Shaper Z9 - Light Shaper Zoom	E - White H - Anthracite T - Corten 5 - Jasper Green C - Custom RAL (consult factory for "C")	4.92' standard 2 - 32.81' 4 - 65.62'

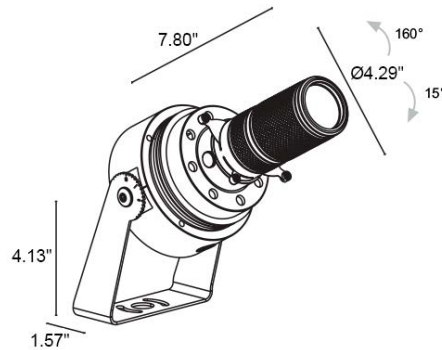
Job Name/Date:

Fixture Type Designation:

FIXTURE DIMENSIONS with Optics



light shaper



light shaper zoom

SUGGESTED POWER SUPPLIES

24VDC

Part Number	Description	Input/Output	# of Fixtures
PPLT00284	Non-Dim	120-277VAC to 24VDC, 100W, Class 2	1-3
PPLT00543	0-10V Dimming to 15% (-40°C / -40°F cold weather start)	120-277VAC to 24VDC, 100W, Class 2	1-3

Suggested Lutron Compatible

Part Number	Option	Lutron SKU	Dim Range	Description	Input/Output	# of Fixtures
PPLT00530	L3DAE / L3D0	L3DA/L3D0	100%-1%	Hi-Lume™ 0.1% EcoSystem™ or 3-Wire LED Driver	120-277VAC to 24VDC, 96W, Class 2	1-3

DRIVERS IN NEMA ENCLOSURE

Remote 24VDC - ELV / TRIAC / 0-10V



PPLT00715

Part Number	Description	Input/Output	# of Fixtures
PPLT00715	ELV / TRIAC / 0-10V Dimming to 0.1%	120-277VAC to 24VDC, 96W, Class 2, WET/DAMP	1-3

For other power supply options consult factory.

Job Name/Date:

Fixture Type Designation:

ACCESSORIES Installation



WP0300
Ground Spike
(3.5" x 15.6" x 1.6")

Snoots



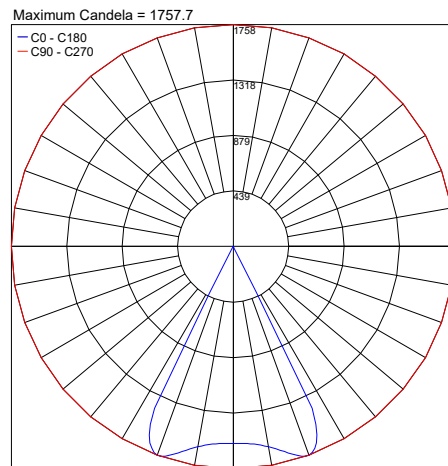
WB1101_
Standard Snoot
Include one of the below finishes:
E - White
H - Anthracite
T - Cor-ten
5 - Jasper Green
C - Custom RAL



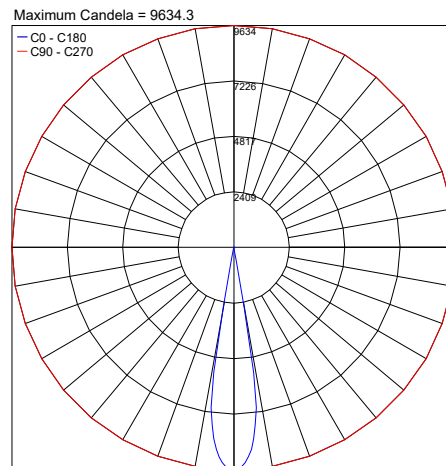
WB1102_
Asymmetrical Snoot
Include one of the below finishes:
E - White
H - Anthracite
T - Cor-ten
5 - Jasper Green
C - Custom RAL

PHOTOMETRIC DATA

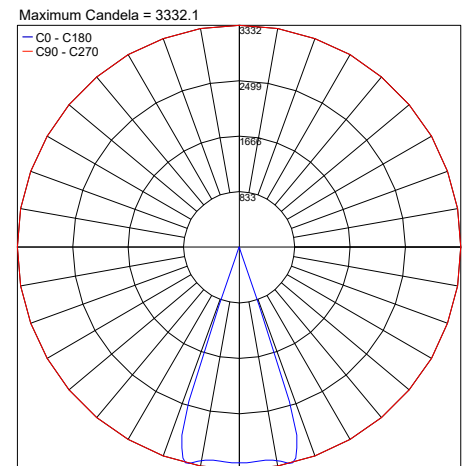
Note all Photometry is CRI 90



PHOTOMETRIC FILENAME : GINKO_4.5_R9_53_3000K_CRI90_25W_24VDC.IES



PHOTOMETRIC FILENAME : GINKO_4.5_Z9_ZOOM_18_3000K_CRI90_25W_24VDC.IES



PHOTOMETRIC FILENAME : GINKO_4.5_Z9_ZOOM_37_3000K_CRI90_25W_24VDC.IES

Job Name/Date:

Fixture Type Designation: