



INSTRUCTIONS PERTAINING TO RISK OF FIRE OR INJURY TO PERSONS. READ ALL INSTRUCTIONS. IMPORTANT SAFETY INSTRUCTIONS. SAVE THESE INSTRUCTIONS.

DANGER - RISK OF SHOCK - DISCONNECT POWER BEFORE INSTALLATION!

Please read all instructions before installation.

- Keep these instructions for future reference.
- Must be installed by a qualified electrician in accordance with national and local standards. Designplan is not responsible for fixtures installed without regard to these standards.
- The main power connection must be in accordance with local electrical codes.
- Unauthorized alterations or tampering of product voids warranty.
- Suitable for INDOOR applications.



IP2020

ATTENTION: For Surface - It is the contractor's responsibility to caulk around all the edges between the fixture and the mounting surface to satisfy wet label requirements.

Maintenance

Scheduled maintenance must be carried out once a year on all lighting devices, regardless of appliance class and type of use. It must include the following operations:

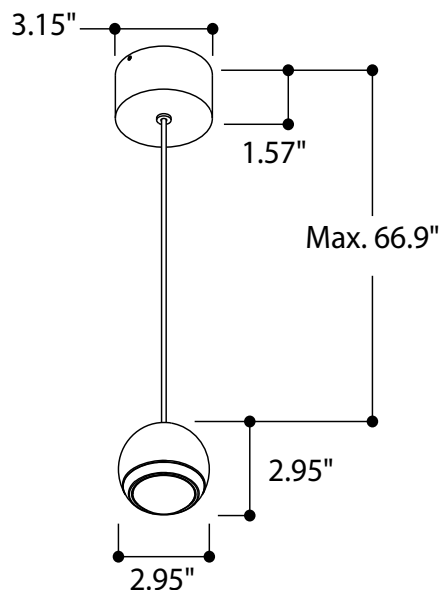
- Periodically clean fixtures to remove dirt from gratings and screw heads.
- Check tightness of screws on various parts of the device.
- Check that all cable glands and cables are intact and tight. Check that the glass or plastic lens is intact, and replace it if broken or damaged.
- The internal components such as the ballast, driver, washers and screws must not show clear signs of oxidation or rust. Clear traces of rust and oxidation will indicate the presence of water inside the device.
- In the case of damage, the components must be replaced by original components or spare parts.

BARRIER JUNIOR SUSPENDED

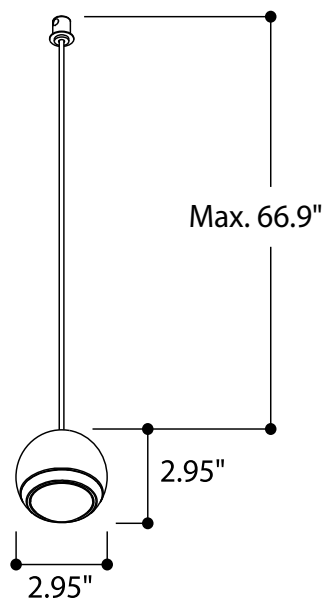
4W, INTEGRAL 120VAC (C1 with CANOPY) / REMOTE 350mA (M1 with BASE)

installation instructions

FIXTURE DIMENSION:

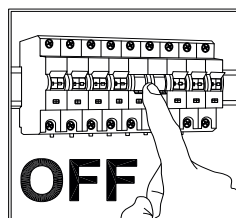


BARRIER JR SUSPENSION C1
Integral 120VAC



BARRIER JR SUSPENSION M10
Remote 350mA

FIXTURE INSTALLATION:



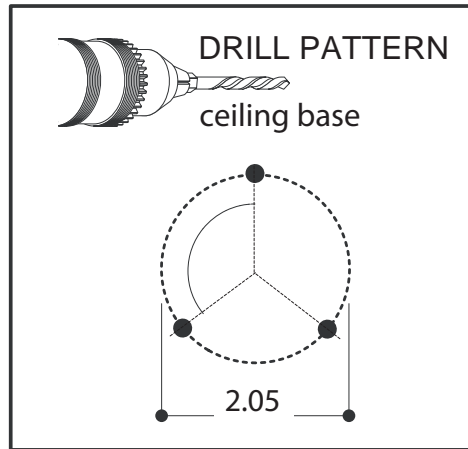
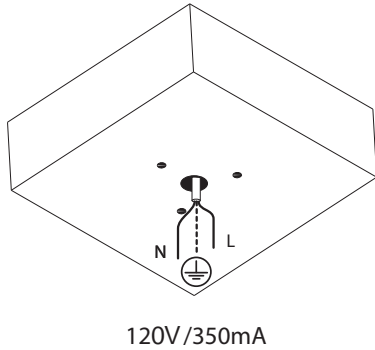
- It is the contractor's responsibility to caulk around all the edges between the fixture and the mounting surface, to satisfy wet label requirements.
- It is the contractor's responsibility to install Remote Driver in a suitable electrical enclosure.

BARRIER JUNIOR SUSPENDED

4W, INTEGRAL 120VAC (C1 with CANOPY) / REMOTE 350mA (M1 with BASE)

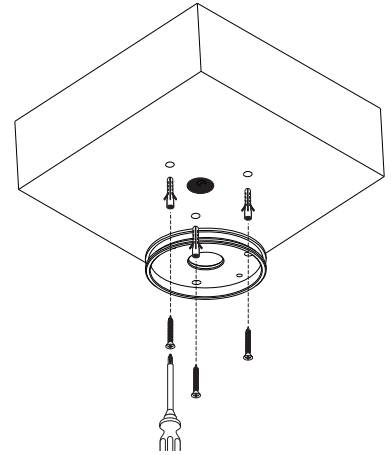
installation instructions

① Make drill pattern in ceiling

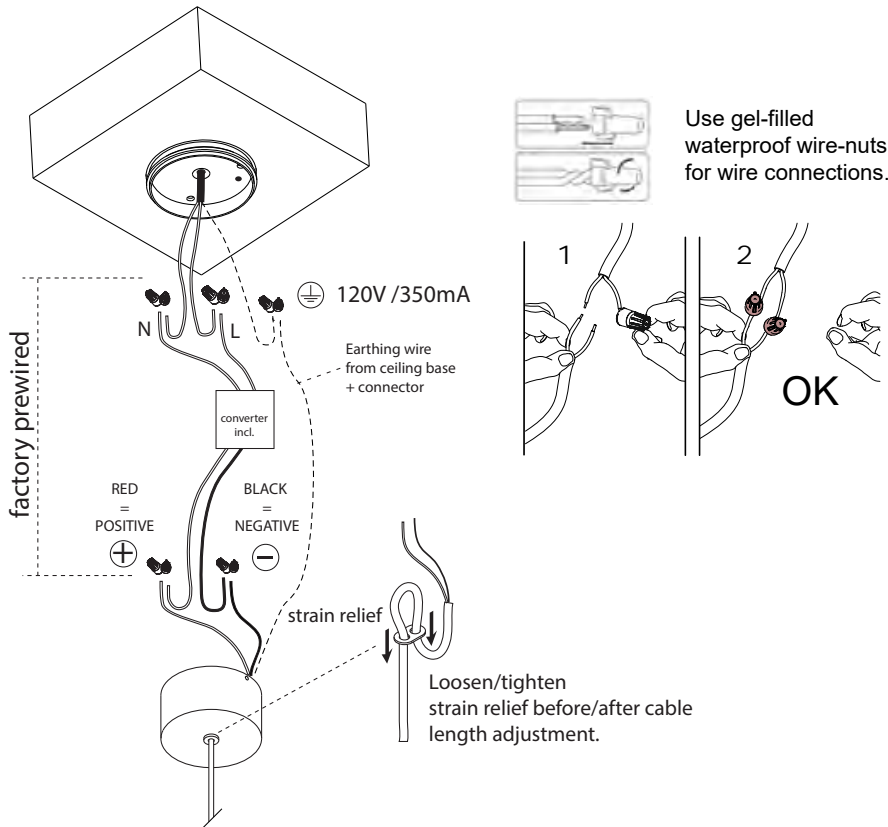


(3 holes @ 120° choose hole size acc. to plug system with max. screw diameter 0.177")

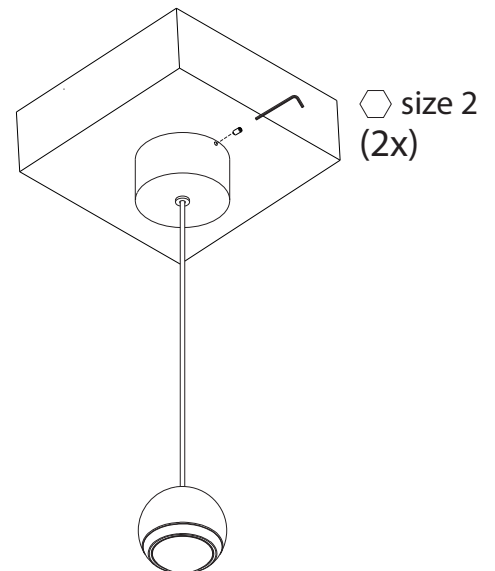
② Mount base on ceiling



③ Adjust cable length & make electrical connection



④ Mount luminaire to base



⑤ Switch on mains power supply

