

SPY 70 RGBW FLOODLIGHT

9W, REMOTE 24VDC, DMX w. INTEGRAL DMX DECORDER

designplan®

installation instructions



INSTRUCTIONS PERTAINING TO RISK OF FIRE OR INJURY TO PERSONS. READ ALL INSTRUCTIONS. IMPORTANT SAFETY INSTRUCTIONS. SAVE THESE INSTRUCTIONS.

DANGER - RISK OF SHOCK - DISCONNECT POWER BEFORE INSTALLATION! Please read all instructions before installation.

- Keep these instructions for future reference.
- Must be installed by a qualified electrician in accordance with national and local standards. Designplan is not responsible for fixtures installed without regard to these standards.
- Unauthorized alterations or tampering of product voids warranty.
- The main power connection must be in accordance with local electrical codes.
- Suitable for OUTDOOR applications.



IP66 IK06

ATTENTION: For Wall/Ceiling - It is the contractor's responsibility to caulk around all the edges between the fixture and the mounting surface to satisfy wet label requirements.

For In-Grade - It is the contractor's responsibility to seal the conduit with "Great Stuff" aerosol seal that prevents water and moisture penetration for ultimate protection. Contractor **MUST** use gel-filled wire nuts.

Maintenance

Scheduled maintenance must be carried out once a year on all lighting devices, regardless of appliance class and type of use. It must include the following operations:

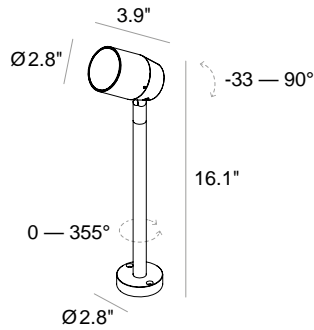
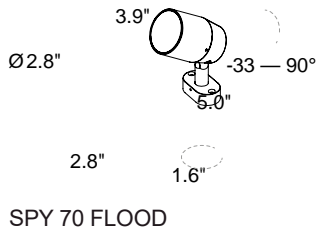
- Periodically clean fixtures to remove dirt from gratings and screw heads.
- Check tightness of screws on various parts of the device.
- Check that all cable glands and cables are intact and tight. Check that the glass or plastic lens is intact, and replace it if broken or damaged.
- The internal components such as the ballast, driver, washers and screws must not show clear signs of oxidation or rust. Clear traces of rust and oxidation will indicate the presence of water inside the device.
- In the case of damage, the components must be replaced by original components or spare parts.

SPY 70 RGBW FLOODLIGHT

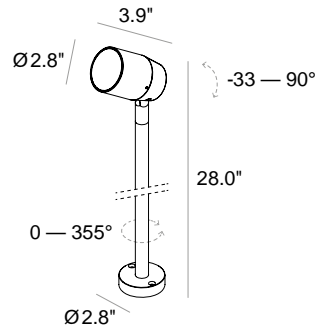
9W, REMOTE 24VDC, DMX w. INTEGRAL DMX DECORDER

installation instructions

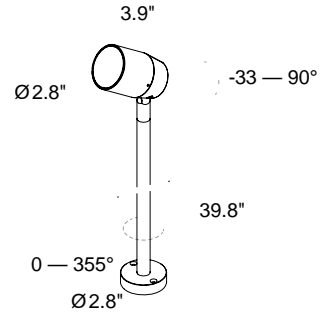
FIXTURE DIMENSIONS



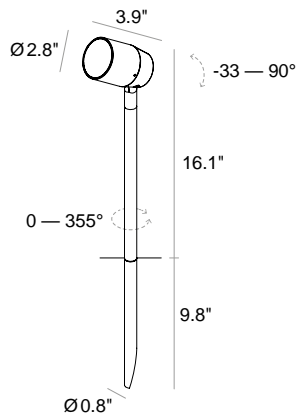
SPY 70 FLOOD / Base
16.1 in



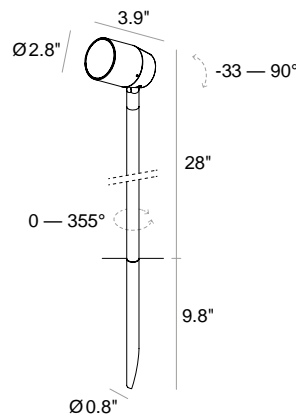
SPY 70 FLOOD / Base
28.0 in



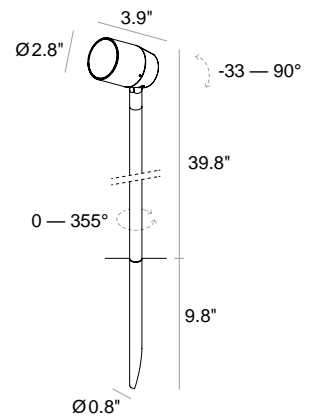
SPY 70 FLOOD / Base
39.8 in



SPY 70 FLOOD / Spike
16.1 in

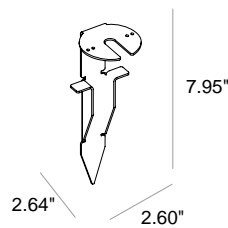


SPY 70 FLOOD / Spike
28.0 in



SPY 70 FLOOD / Spike
39.8 in

ACCESSORIES



A9903
Steel Stake

SPY 70 RGBW FLOODLIGHT

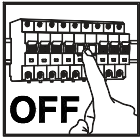


9W, REMOTE 24VDC, DMX w. INTEGRAL DMX DECORDER

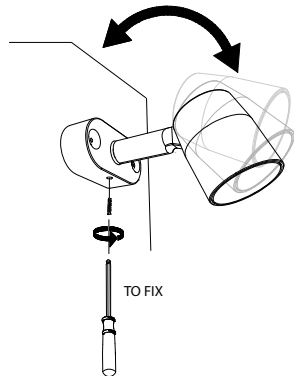
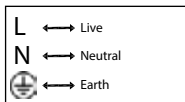
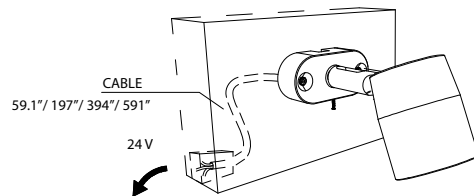
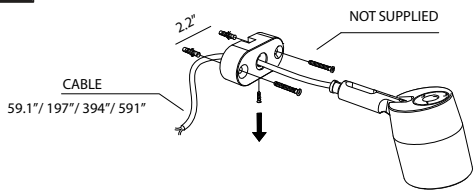
installation instructions

FIXTURE INSTALLATION

- It is the contractor's responsibility to caulk around all the edges between the fixture and the mounting surface, to satisfy wet label requirements.
- It is the contractor's responsibility to install Remote Driver in a suitable electrical enclosure.

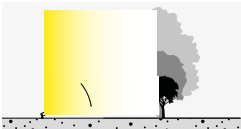


A. WALL/CEILING MOUNTING



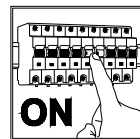
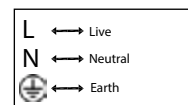
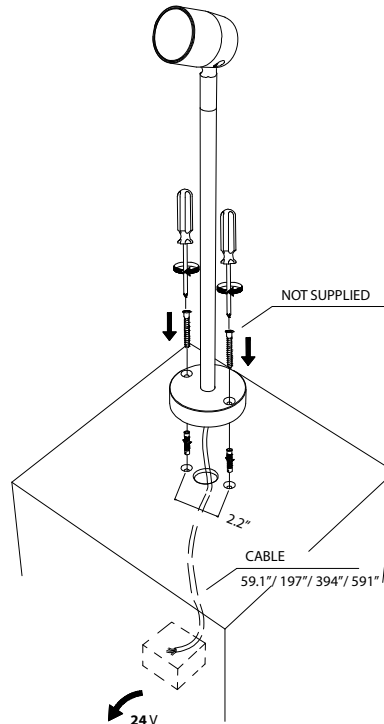
ZOOM 13°-48°

Manual adjustability

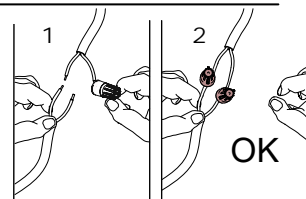
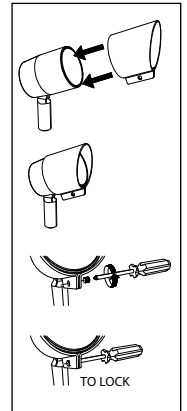


Use gel-filled waterproof wire-nuts for wire connections.

B. GROUND MOUNTING



VISOR ACCESSORY

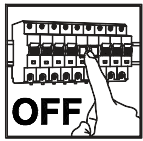


SPY 70 RGBW FLOODLIGHT

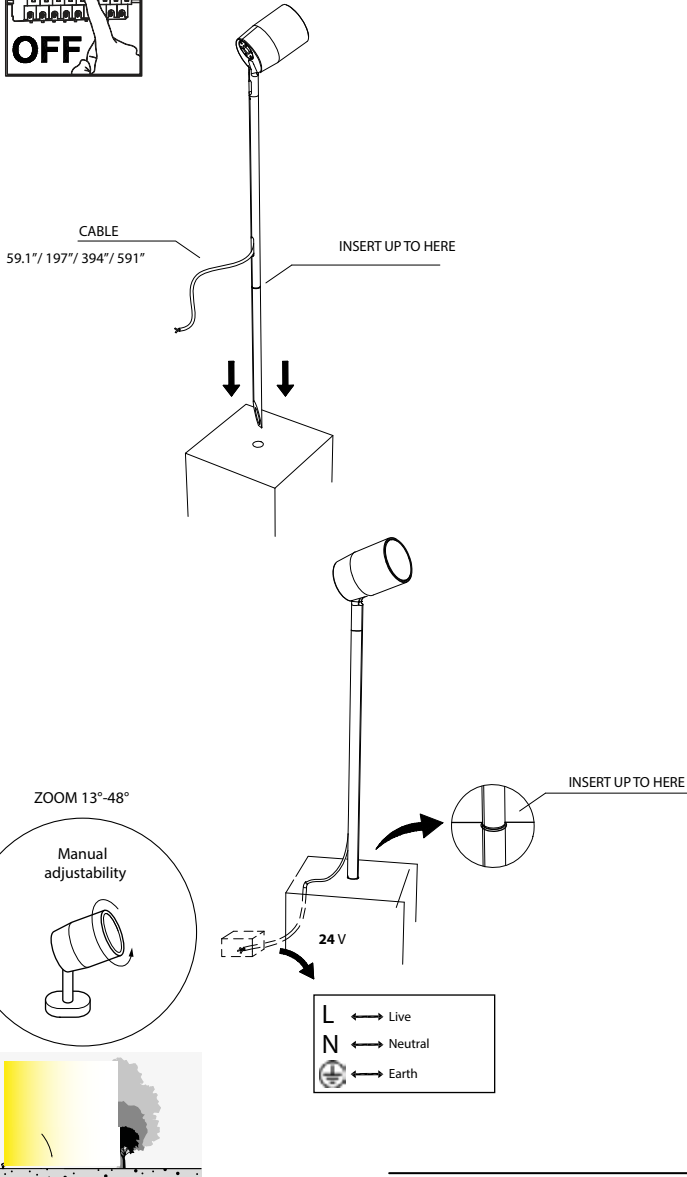
9W, REMOTE 24VDC, DMX w. INTEGRAL DMX DECORDER



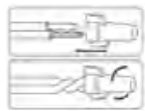
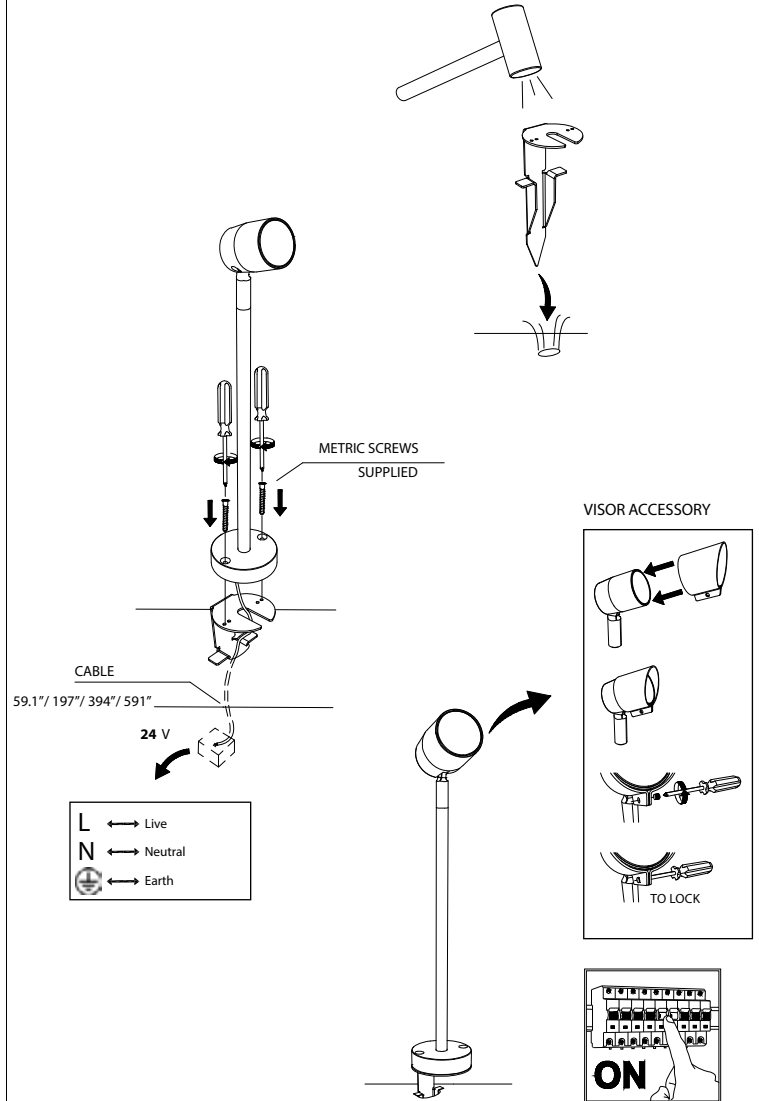
installation instructions



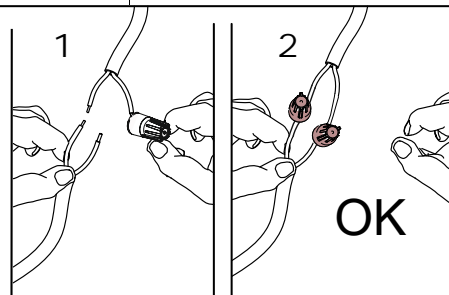
C. GROUND MOUNTING



D. GROUND MOUNTING



Use gel-filled waterproof wire-nuts for wire connections.



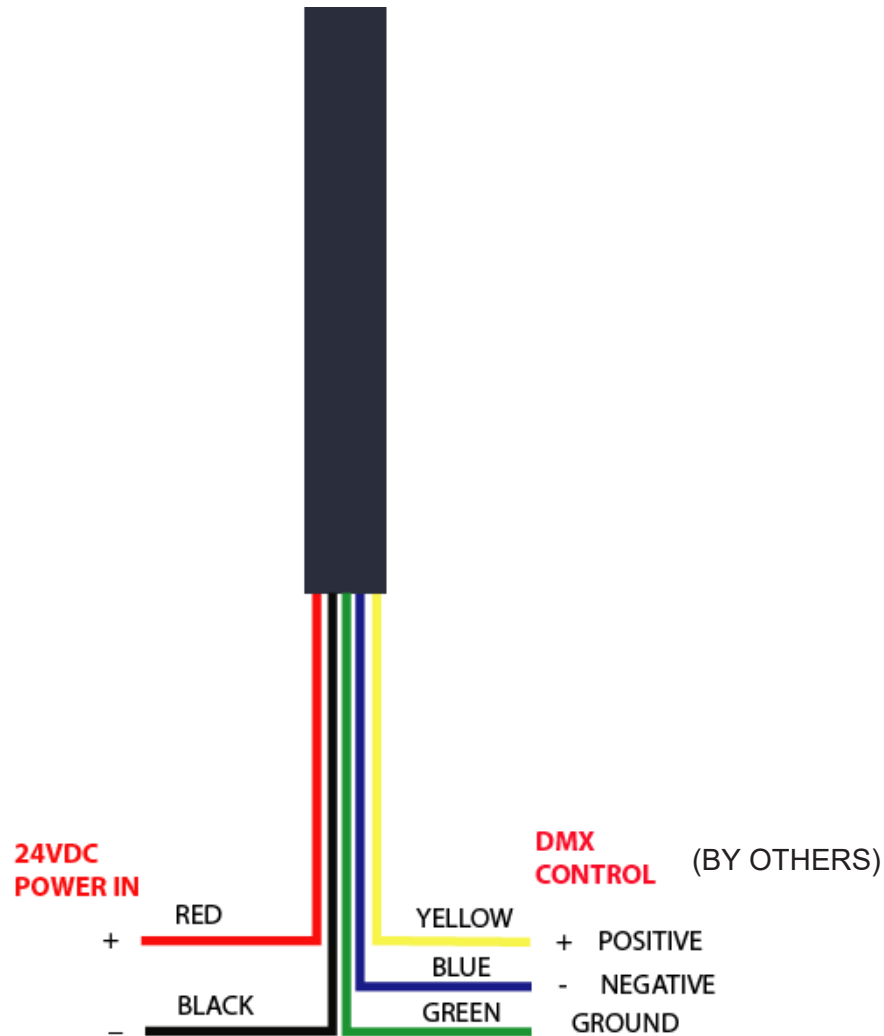
SPY 70 RGBW FLOODLIGHT

9W, REMOTE 24VDC, DMX w. INTEGRAL DMX DECORDER

designplan®

installation instructions

WIRING DIAGRAM



- Only power up the system once all the lamps are connected. Connecting an individual lamp to an active power supply may cause the lamp to break due to over-voltage.
- Power supply units must be installed in well-ventilated boxes or locations to allow a natural heat diffusion and avoid the devices overheating.
- On the power system, install a surge protection device to reduce the intensity of any voltage spikes to protect the lighting fixtures from the risk of damage.