

KL4 Wood is an outdoor LED bollard, based off the KL4 bollard, with a rectangular head and real teak wood set in the aluminum body. It is offered in 2 heights - 2-foot or 3-foot - 4 color temperatures, 3 optic options and 5 standard finishes. Dark Sky compliant.

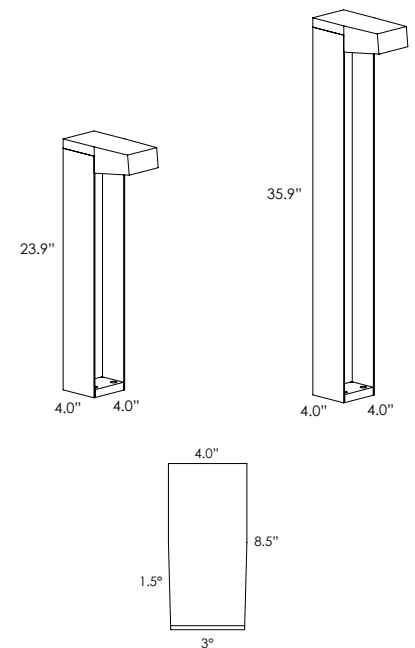


MADE IN THE U.S.A. - Teak Wood Shown

TECHNICAL DATA

Wattage	30W
Power Supply	Integral 120-277VAC
Dimming	0-10V Dimming
Construction	Body: Aluminum Lens: Clear
CCT	2200K, 2700K, 3000K, 4000K
BUG Rating	B2-U0-G0 (24°, 36° - 3000K) B1-U0-G0 (Asym - 3000K)
CRI	>80
Delivered Lumens	1953 lm (24°, 3000K) 1846 lm (36°, 3000K) 2139 lm (Asym, 3000K) Dark Sky compliant
Efficacy	72.3 lm/W (24°, 3000K) 68.4 lm/W (36°, 3000K) 79.2 lm/W (Asym, 3000K)
Optics	24°, 36°, Asymmetric
Finishes	Real Teak Wood 5 Standard, Custom RAL on request
Fixture Dimensions	Head: 4.0" w x 8.5" l Pole: 4.0" x 4.0" x 24.0" or 36.0" h
IP Rating	IP65

Fixture Dimensions



ORDERING INFORMATION

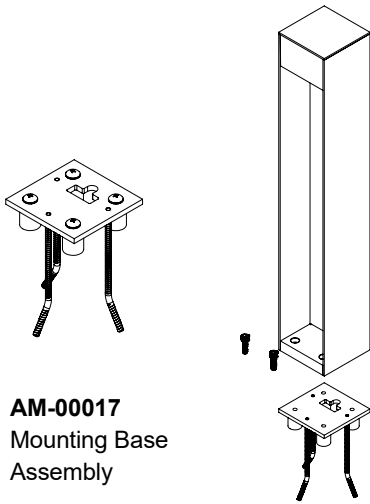
Example: KL4-W-2-30-02-TK-18-C-0. Accessories ordered separately.

KL4-W	-		-		-		-		-	C	-	0
Model #	Height	CCT	Optics	Wood Finish	Finish	Dimming	Options					
KL4-W	2 - 2 ft.	22 - 2200K	01 - 24°	TK - Real Teak Wood	11 - White Suede	C - Integral 120-277VAC 0-10V Dimming	0 - None					
	3 - 3 ft.	27 - 2700K	02 - 36°		02 - Black Suede							
		30 - 3000K	03 - Asym.		03 - Gray							
		40 - 4000K	18 - Tex. Bronze		TS - Silver							
					C - Custom							

Job Name/Date:

Fixture Type Designation:

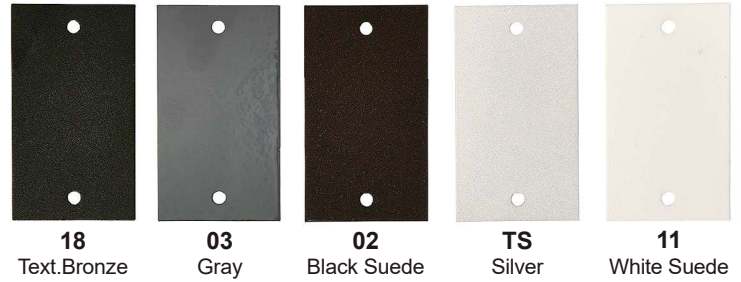
ACCESSORIES - Installation



AM-00017
Mounting Base
Assembly

WOOD FINISHES - Real Teak Wood Shown on page 1

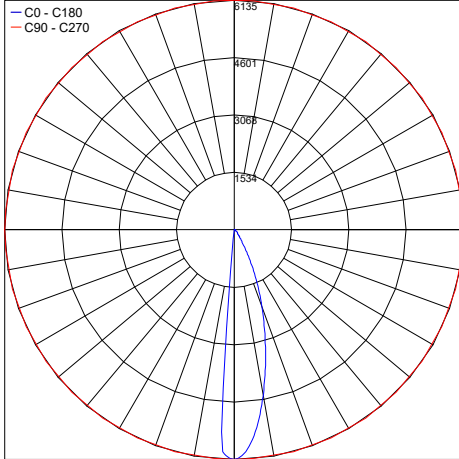
FINISHES



PHOTOMETRICS

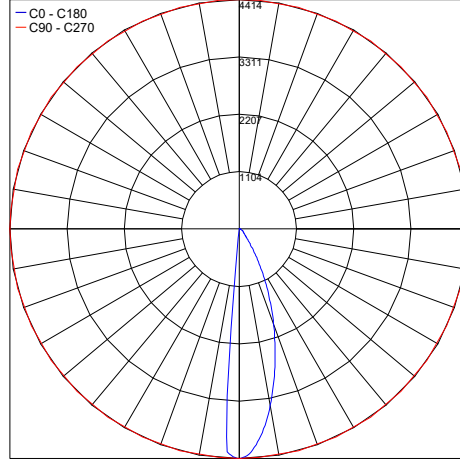
Note: all photometry is 3000K

Maximum Candela = 6135



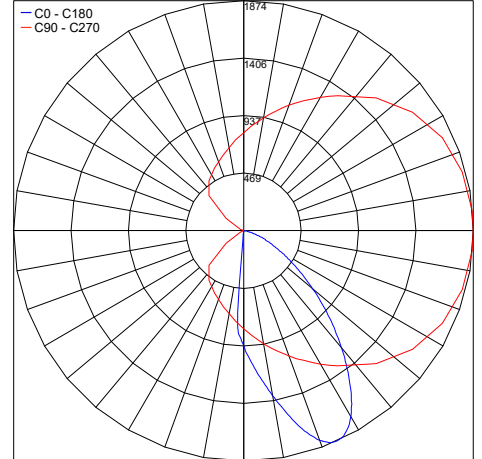
PHOTOMETRIC FILENAME : KA4-KL4_3FT 30K 24" BLK_LLI002721-001.IES

Maximum Candela = 4414



PHOTOMETRIC FILENAME : KA4-KL4_3FT 30K 36" BLK_LLI002721-002.IES

Maximum Candela = 1874



PHOTOMETRIC FILENAME : KA4-KL4_3FT 30K ASYM BLK_LLI002721-003.IES

Job Name/Date:

Fixture Type Designation: