



INSTRUCTIONS PERTAINING TO RISK OF FIRE OR INJURY TO PERSONS. READ ALL INSTRUCTIONS. IMPORTANT SAFETY INSTRUCTIONS. SAVE THESE INSTRUCTIONS.

DANGER - RISK OF SHOCK - DISCONNECT POWER BEFORE INSTALLATION! Please read all instructions before installation.

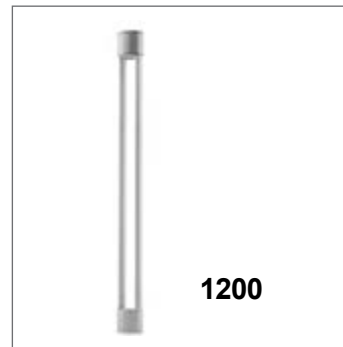
- Keep these instructions for future reference.
- Must be installed by a qualified electrician in accordance with national and local standards. Designplan is not responsible for fixtures installed without regard to these standards.
- Unauthorized alterations or tampering of product voids warranty.
- The main power connection must be in accordance with local electrical codes.
- Suitable for OUTDOOR applications.



280



800



1200



**IP65 IP68
IK09**

ATTENTION: For In-Grade - It is the contractor's responsibility to seal the conduit with "Great Stuff" aerosol seal that prevents water and moisture penetration for ultimate protection. Contractor **MUST** use gel-filled wire nuts.

Maintenance

Scheduled maintenance must be carried out once a year on all lighting devices, regardless of appliance class and type of use. It must include the following operations:

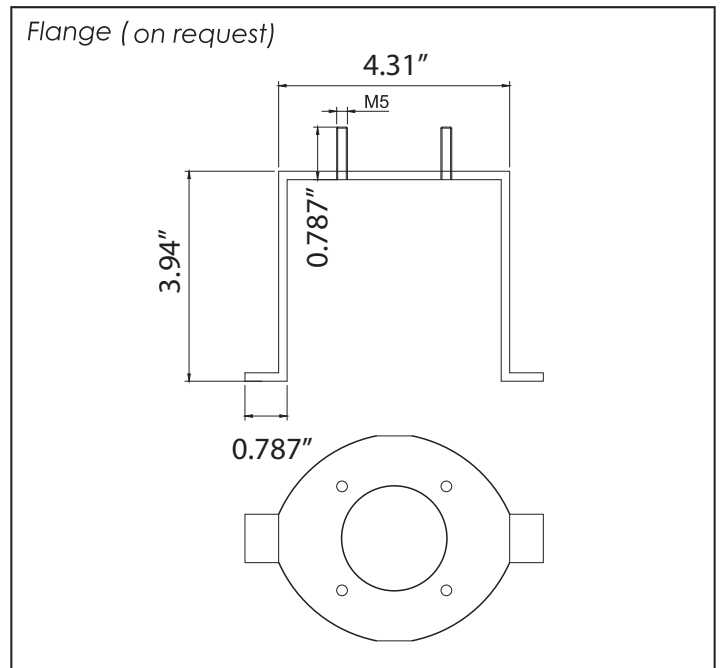
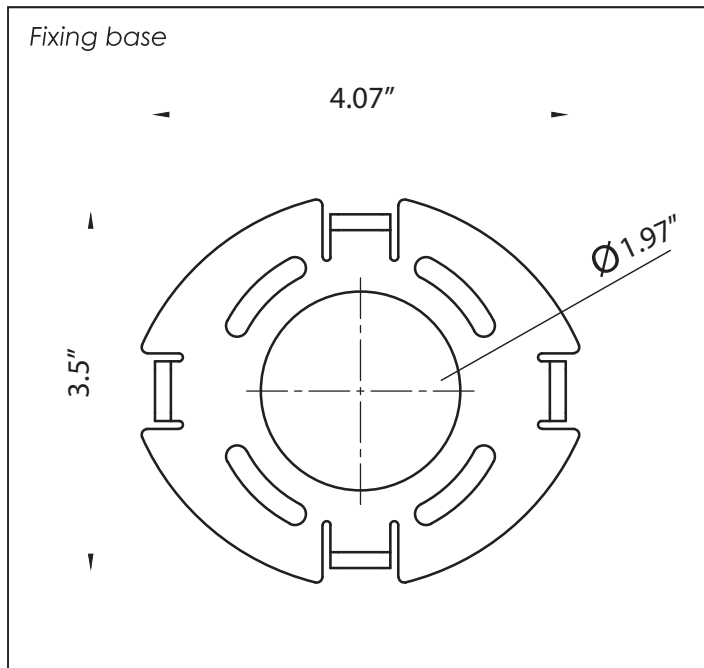
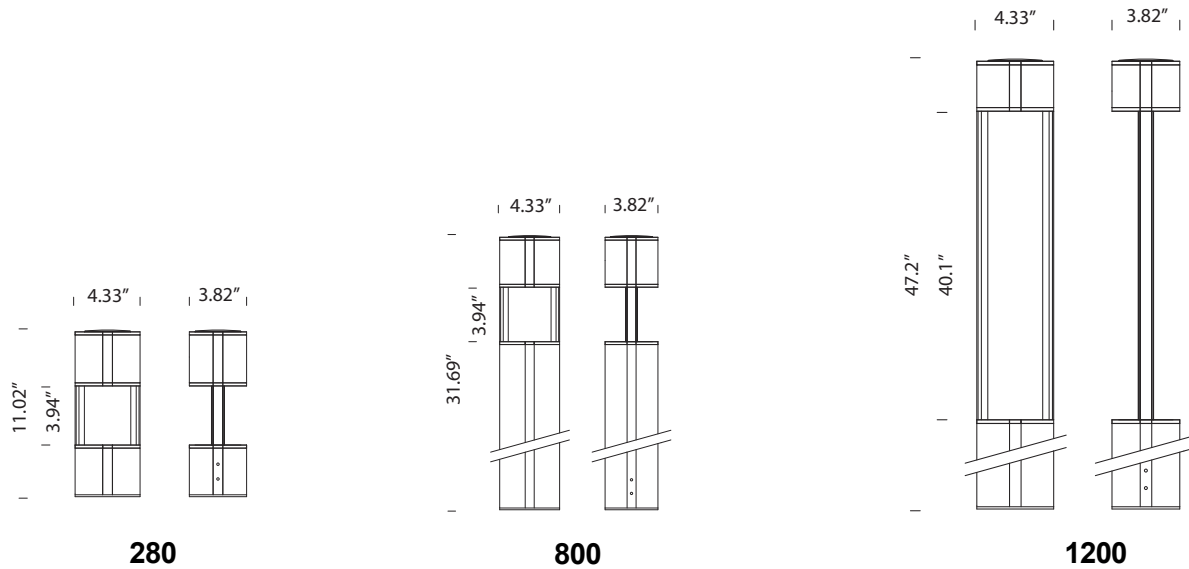
- Periodically clean fixtures to remove dirt from gratings and screw heads.
- Check tightness of screws on various parts of the device.
- Check that all cable glands and cables are intact and tight. Check that the glass or plastic lens is intact, and replace it if broken or damaged.
- The internal components such as the ballast, driver, washers and screws must not show clear signs of oxidation or rust. Clear traces of rust and oxidation will indicate the presence of water inside the device.
- In the case of damage, the components must be replaced by original components or spare parts.

MOK MINI BOLLARD 280, 800, 1200

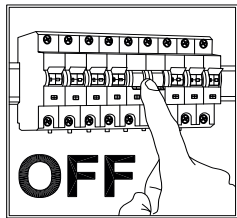
3W/5.5W(180°/360°), 3W/5.5W(180°/390°), 3.5W/6W(180°/360°), INTEGRAL120VDC

installation instructions

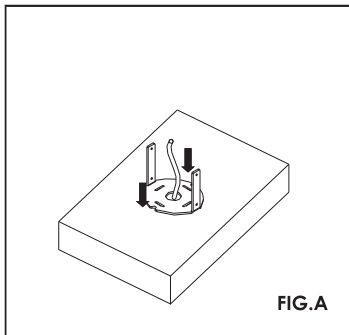
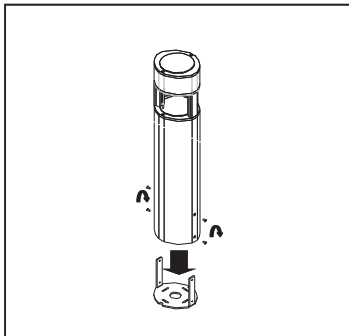
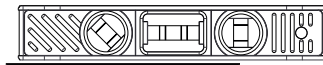
FIXTURE DIMENSION:



FIXTURE INSTALLATION



- It is the contractor's responsibility to caulk around all the edges between the fixture and the mounting surface, to satisfy wet label requirements.
- It is the contractor's responsibility to install Remote Driver in a suitable electrical enclosure.



Fixing in the ground

To make a plint to fix the product base. To make fixing holes (A) and to put in tirax supplied. To avoid direct contact between base of fitting pole with the ground in order to avoid any contact between aluminium parts and humidity and chemical element (C).

To clear periodically metallic parts that may be in contact with ground. Never install the fitting in the ground with wrong incline that may be the cause of dirty deposit and permanent submersion (D). The fitting parts are damaged owing to stagnation and aggressive chemical elements.

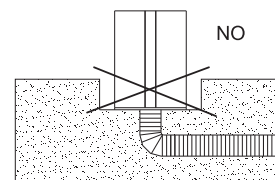
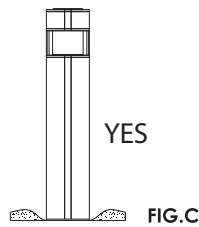
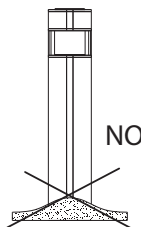
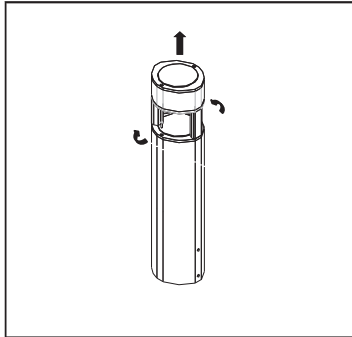


FIG.D

MOK MINI BOLLARD 280, 800, 1200

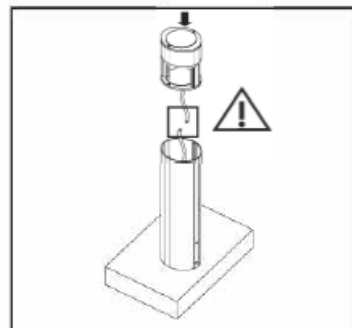
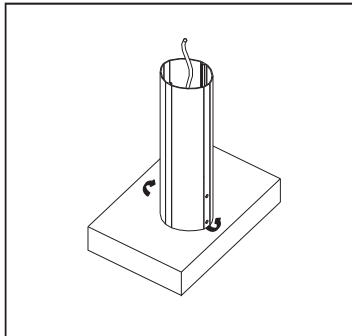
3W/5.5W(180°/360°), 3W/5.5W(180°/390°), 3.5W/6W(180°/360°), INTEGRAL120VDC

installation instructions



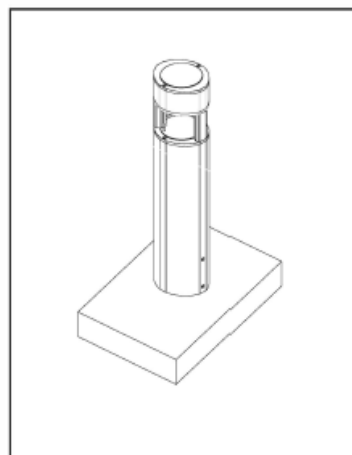
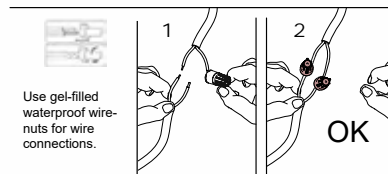
Fixing body

To remove two closing screws on the cap and to remove optical group.
To fix estrude part at the base making attention, to close bracket fixing screws correctly.



Fixing for the bollard version

To connect our standard cable with mains cable by quick connector IP67 supplied with product. After connection to fix again optical group on the top of pole making attention to close the screws.
For the led version do not open optical group during installation.



Switch on

To be sure that product is fixed on base correctly and closing screws positioned correctly. Regularly to do maintenance and to clear product to grant perfect working during time.

