



INSTRUCTIONS PERTAINING TO RISK OF FIRE OR INJURY TO PERSONS. READ ALL INSTRUCTIONS. IMPORTANT SAFETY INSTRUCTIONS. SAVE THESE INSTRUCTIONS.

DANGER - RISK OF SHOCK - DISCONNECT POWER BEFORE INSTALLATION! Please read all instructions before installation.

- Keep these instructions for future reference.
- Must be installed by a qualified electrician in accordance with national and local standards. Designplan is not responsible for fixtures installed without regard to these standards.
- Unauthorized alterations or tampering of product voids warranty.
- The main power connection must be in accordance with local electrical codes.
- Suitable for OUTDOOR applications.



SINGLE



DOUBLE



**IP66 IP68
IK08**

ATTENTION: For Wall/Ceiling - It is the contractor's responsibility to caulk around all the edges between the fixture and the mounting surface to satisfy wet label requirements. Contractor **MUST** use gel-filled wire nuts.

Maintenance

Scheduled maintenance must be carried out once a year on all lighting devices, regardless of appliance class and type of use. It must include the following operations:

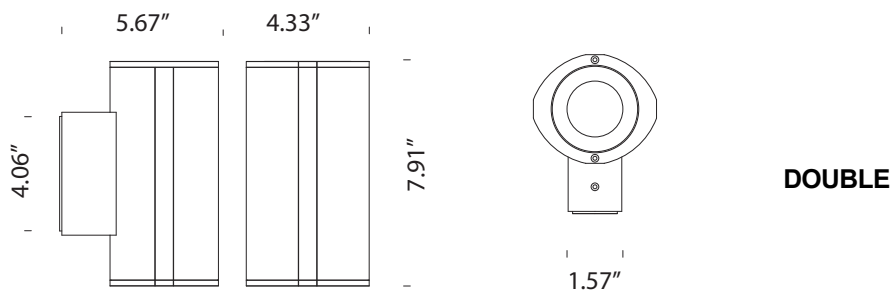
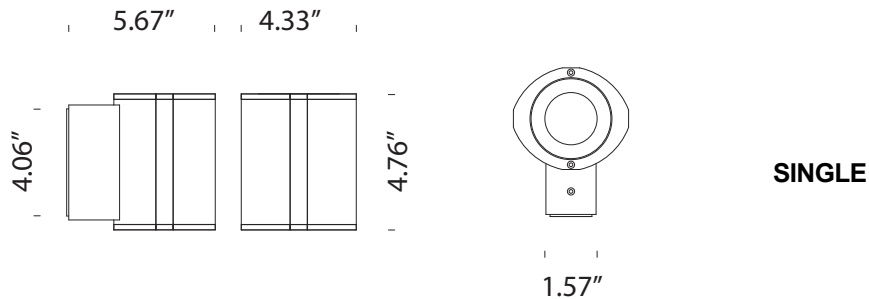
- Periodically clean fixtures to remove dirt from gratings and screw heads.
- Check tightness of screws on various parts of the device.
- Check that all cable glands and cables are intact and tight. Check that the glass or plastic lens is intact, and replace it if broken or damaged.
- The internal components such as the ballast, driver, washers and screws must not show clear signs of oxidation or rust. Clear traces of rust and oxidation will indicate the presence of water inside the device.
- In the case of damage, the components must be replaced by original components or spare parts.

MOK MINI WALL SINGLE / DOUBLE

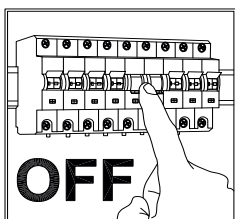
11W (SINGLE), 11W PER BEAM (DOUBLE), INTEGRAL 120VAC

installation instructions

FIXTURE DIMENSION:



FIXTURE INSTALLATION



- It is the contractor's responsibility to caulk around all the edges between the fixture and the mounting surface, to satisfy wet label requirements.
- It is the contractor's responsibility to install Remote Driver in a suitable electrical enclosure.

MOK MINI WALL SINGLE / DOUBLE



11W (SINGLE), 11W PER BEAM (DOUBLE), INTEGRAL 120VAC

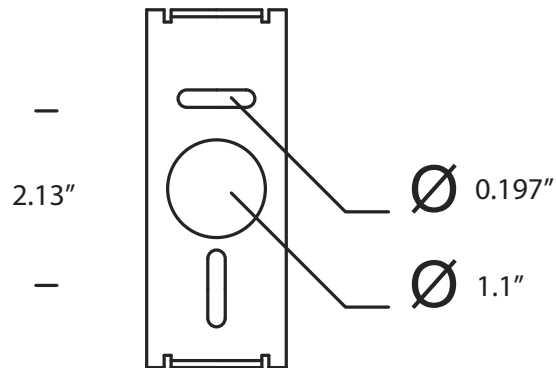
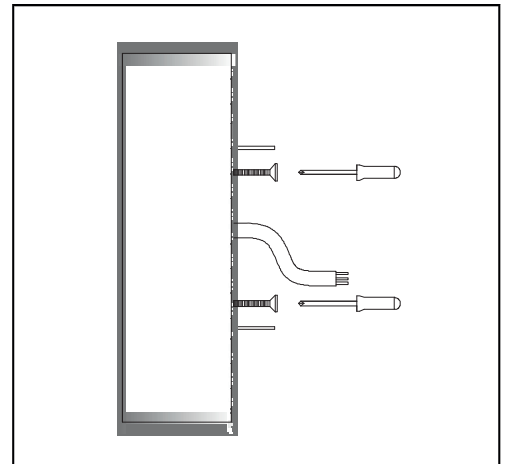
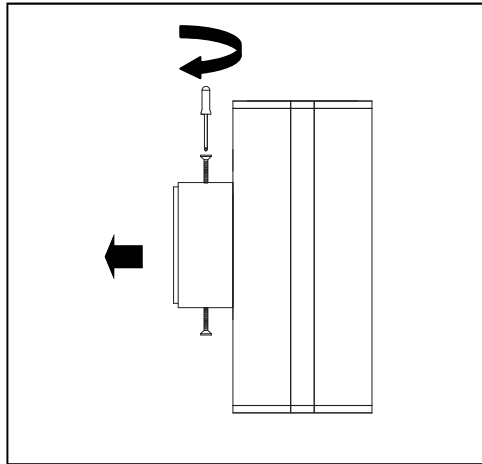
installation instructions

Wall Fixing

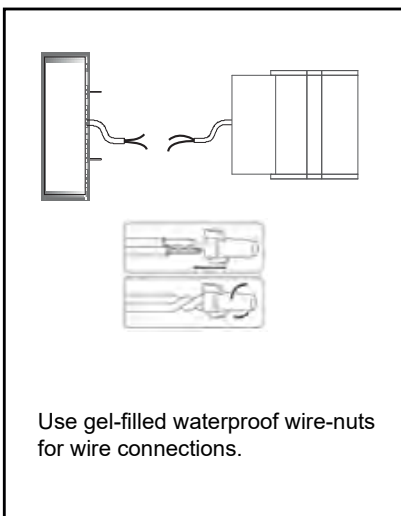
Unscrew the two closing screws on the fixing base of the product and remove the wall fixing plate

Use the tirax with relative screws not supplied as standard to proceed with fixing the bracket and insert the power cable into the central hole

for the details of the fixing bracket, please see figure C



C



Use gel-filled waterproof wire-nuts for wire connections.

Cable

After fixing the base to the wall and applying the part of the waterproof connection joint to the cable, proceed to close the connector carefully.

For unipolar connections it is recommended to respect the numbers shown on the same connector L,N and ground

