



INSTRUCTIONS PERTAINING TO RISK OF FIRE OR INJURY TO PERSONS. READ ALL INSTRUCTIONS. IMPORTANT SAFETY INSTRUCTIONS. SAVE THESE INSTRUCTIONS.

DANGER - RISK OF SHOCK - DISCONNECT POWER BEFORE INSTALLATION! Please read all instructions before installation.

- Keep these instructions for future reference.
- Must be installed by a qualified electrician in accordance with national and local standards. Designplan is not responsible for fixtures installed without regard to these standards.
- Unauthorized alterations or tampering of product voids warranty.
- The main power connection must be in accordance with local electrical codes.
- Suitable for OUTDOOR applications.



IP65

Electrical Connections:

- LED lights must be **connected in parallel** respecting polarities.
- **CHOOSE POWER SUPPLY ACCORDINGLY.** Please consider the voltage through which fixtures are fed as well as the max power consumption.
- **Connect power only if all the fixtures are connected.**
- The power supplies **MUST** be installed in aerated rooms, far from heat sources. Overworking or lack of air circulation will not permit natural dissipation.
- Use only Class 2 type electronic power supply.
- Never use switches on secondary circuit.

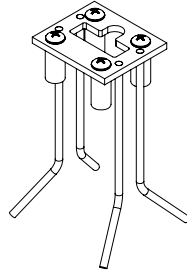
ATTENTION: For In-Grade - It is the contractor's responsibility to seal the conduit with "Great Stuff" aerosol seal that prevents water and moisture penetration for ultimate protection. Contractor **MUST** use gel-filled wire nuts.

Maintenance

Scheduled maintenance must be carried out once a year on all lighting devices, regardless of appliance class and type of use. It must include the following operations:

- Periodically clean fixtures to remove dirt from gratings and screw heads.
- Check tightness of screws on various parts of the device.
- Check that all cable glands and cables are intact and tight. Check that the glass or plastic lens is intact, and replace it if broken or damaged.
- The internal components such as the ballast, driver, washers and screws must not show clear signs of oxidation or rust. Clear traces of rust and oxidation will indicate the presence of water inside the device.
- In the case of damage, the components must be replaced by original components or spare parts.

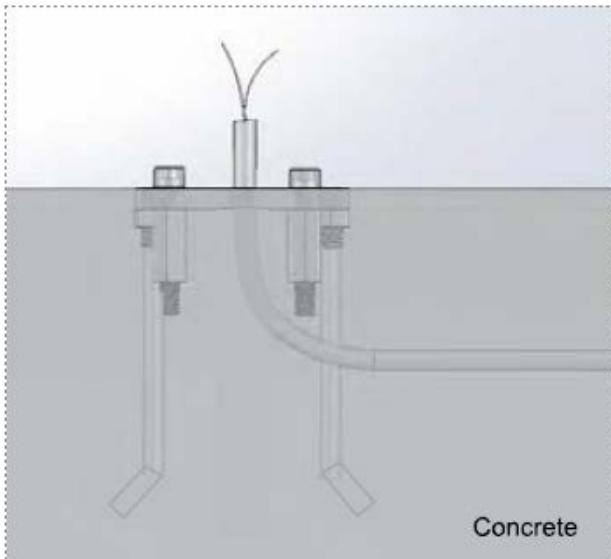
Mounting Base



AM-00010

Concrete Installation

Assemble together components as shown,

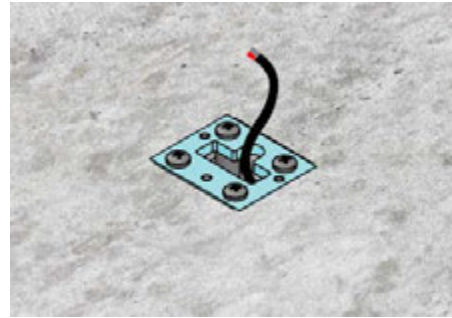


Grade
Level

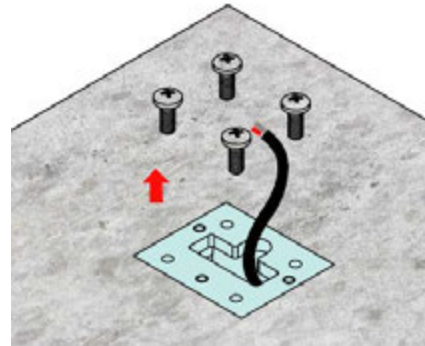
Concrete

- 1/4-20 bolts and hex couplings are to be installed in the concrete as shown.
- Ensure that the Klee base plate is leveled and flush with concrete surface.

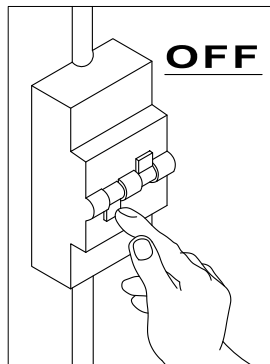
1.



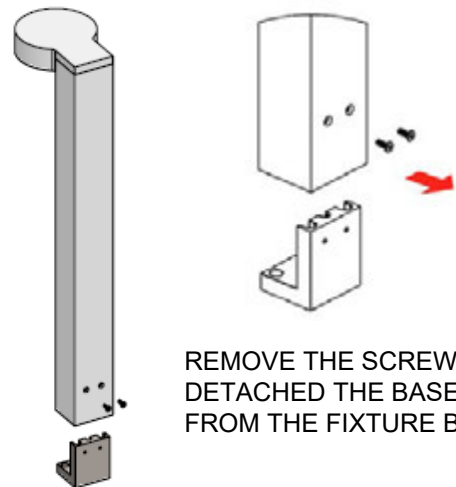
2.



3A.

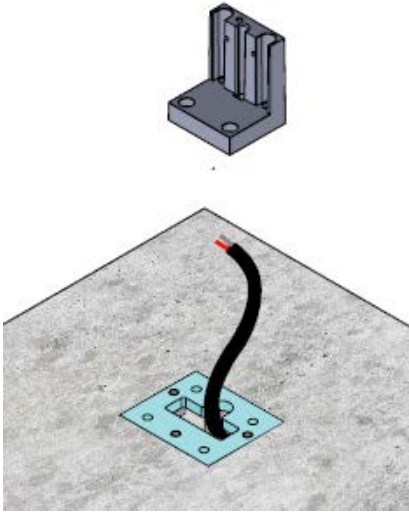


3B.



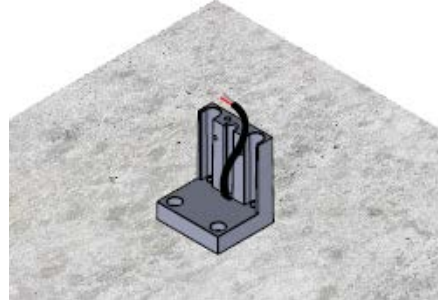
REMOVE THE SCREW &
DETACHED THE BASE
FROM THE FIXTURE BODY.

4.

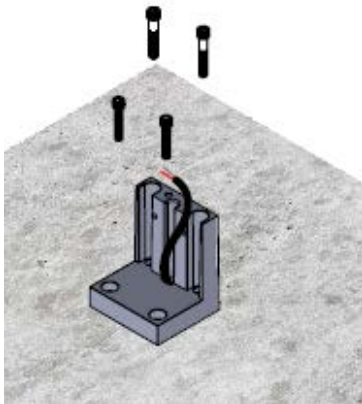


INSERT THE BASE & LET THE WIRE THROUGH ITS BOOTTOOM CLEARANCE HOLE

5.

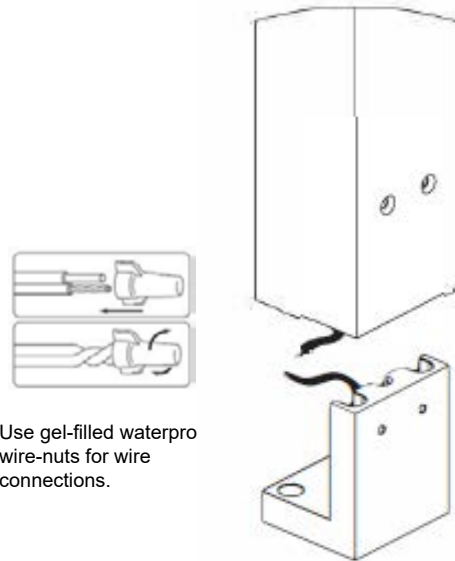


6.

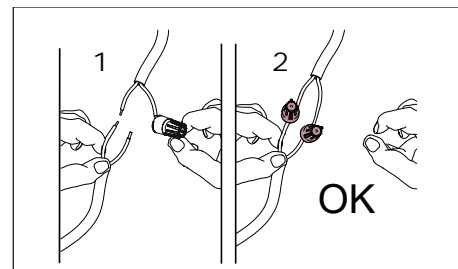


- Screw in (2) 1/4-20 x 1.5" screws through the back of the Klee base as well as through the fixture mounting base assembly as shown.
- Once back screws are screwed in, screw in (2) 1/4-20 x 1.25" screws through the front of the fixture base as well as through its mounting base assembly as shown.

7.

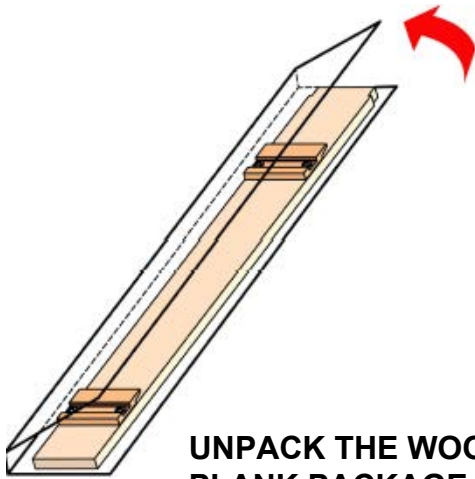


Use gel-filled waterpro wire-nuts for wire connections.

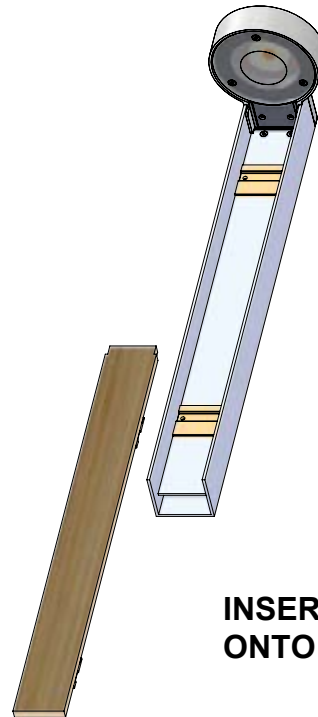


Make proper wiring connections and slide through the middle hole in the back of the base and through the mounting base assembly as shown.

8.

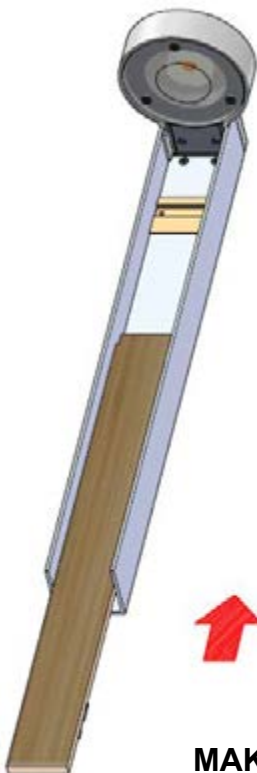


UNPACK THE WOOD PLANK PACKAGE



INSERT THE WOOD PLANK ONTO THE FIXTURE

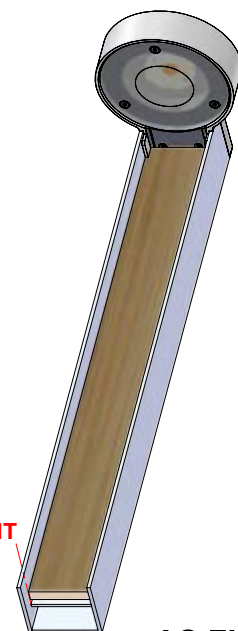
9.



MAKESURE THE CLEATS FULLY ENGAGED FROM BOTH PARTS

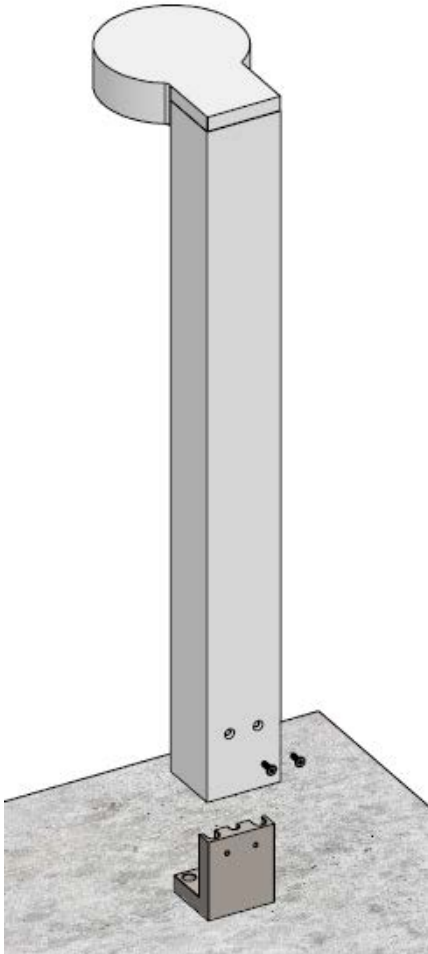


ALIGNMENT

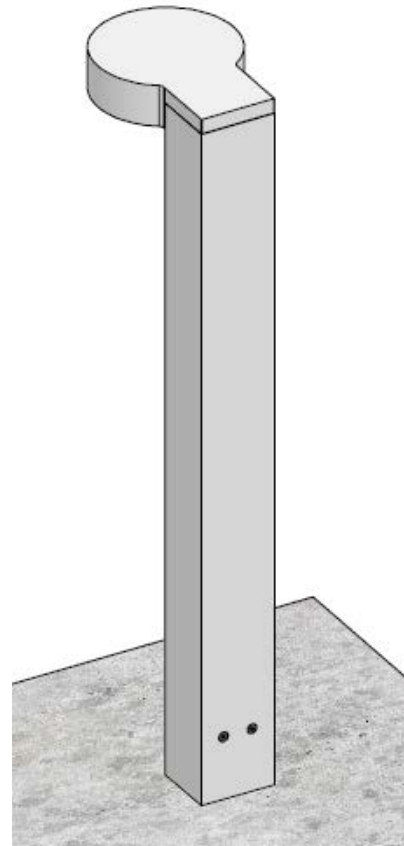


AS FINISHED

10.



11.



- Once all of the wiring connections are made and the fixture base is assembled onto the mounting base assembly, slide the fixture body through its base assembly as shown.
- Screw in the (2) 8-32 x 1/2" flat head screws in the back to secure the fixture body to the base.

- It is the contractor's responsibility to caulk around all seams of fixture to satisfy wet label requirements.

- It is the contractor's responsibility to install Remote Driver in a suitable electrical enclosure.
- It is the contractor's responsibility to caulk around the edges between the fixture and the mounting surface, to satisfy wet label requirements.

KAHLO Fixture 0-10V Dimming _ Wire Connection



To Power
Black- Line (120V)
White - Neutral
Green- Ground

0-10V Dimming Leads
Purple (+)
Yellow (-)