



INSTRUCTIONS PERTAINING TO RISK OF FIRE OR INJURY TO PERSONS. READ ALL INSTRUCTIONS. IMPORTANT SAFETY INSTRUCTIONS. SAVE THESE INSTRUCTIONS.

DANGER - RISK OF SHOCK - DISCONNECT POWER BEFORE INSTALLATION! Please read all instructions before installation.

- Keep these instructions for future reference.
- Must be installed by a qualified electrician in accordance with national and local standards. Designplan is not responsible for fixtures installed without regard to these standards.
- Unauthorized alterations or tampering of product voids warranty.
- The main power connection must be in accordance with local electrical codes.
- Suitable for INDOOR applications.
- DO NOT INSTALL INSULATION WITHIN 3.0" (76 mm) OF ANY PART OF THE LUMINAIRE.



Electrical Connections:

- LED lights must be **connected in series** respecting polarities.
- **CHOOSE POWER SUPPLY ACCORDINGLY.** Please consider the voltage through which fixtures are fed as well as the max power consumption.
- **Connect power only if all fixtures are connected.**
- The power supplies **MUST** be installed in aerated rooms, far from heat sources. Overworking or lack of air circulation will not permit natural dissipation.
- The electronic power supply is current-stable, therefore it partially compensates the voltage-drop problems related to the cable length; we suggest not to exceed 100 ft.
- Use only Class 2 type electronic power supply.
- Never use switches on secondary circuit.

Maintenance

Scheduled maintenance must be carried out once a year on all lighting devices, regardless of appliance class and type of use. It must include the following operations:

- Periodically clean fixtures to remove dirt from gratings and screw heads.
- Check tightness of screws on various parts of the device.
- Check that all cable glands and cables are intact and tight. Check that the glass or plastic lens is intact, and replace it if broken or damaged.
- The internal components such as the ballast, driver, washers and screws must not show clear signs of oxidation or rust. Clear traces of rust and oxidation will indicate the presence of water inside the device.
- In the case of damage, the components must be replaced by original components or spare parts.

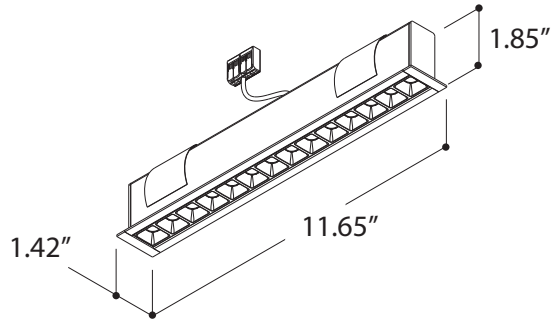
MICRO PIXL 14 RECESSED

9.8W, REMOTE 500mA

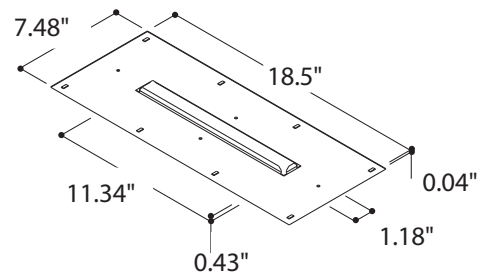
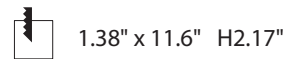
designplan®

installation instructions

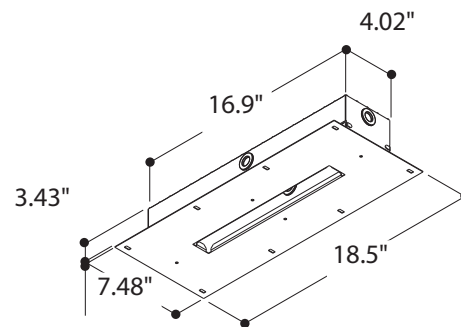
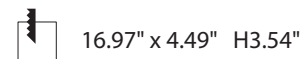
FIXTURE DIMENSIONS:



417799 INSTALLATION FRAME FOR PLASTER



417797 INSTALLATION FRAME + BOX FOR PLASTER

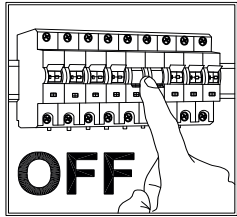


MICRO PIXL 14 RECESSED

9.8W, REMOTE 500mA

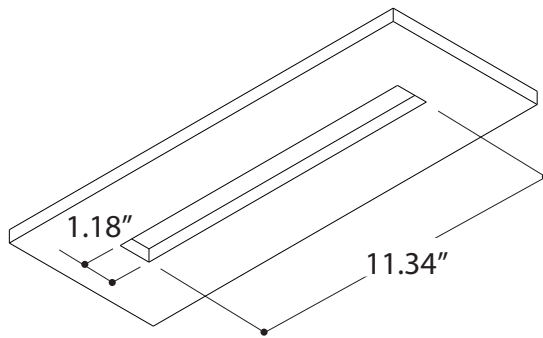
installation instructions

FIXTURE INSTALLATION:



- It is the contractor's responsibility to caulk around all the edges between the fixture and the mounting surface, to satisfy wet label requirements.
- It is the contractor's responsibility to install Remote Driver in a suitable electrical enclosure.

① Make hole with cut-out dimensions



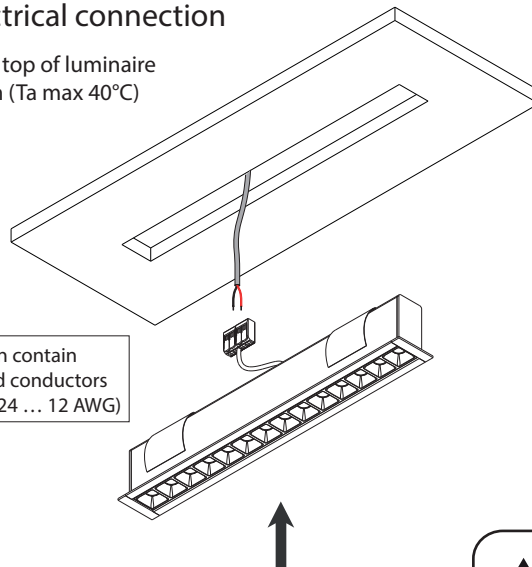
Min. ceiling thickness = 0.39"
Max. ceiling thickness = 0.984"
Min. installation depth = 2.17"

② Make electrical connection

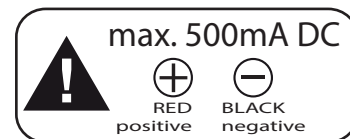


Do not cover top of luminaire with isolation (Ta max 40°C)

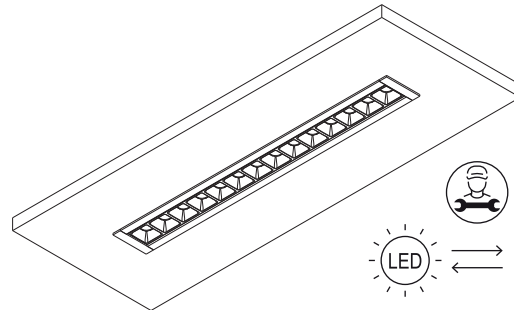
connectors can contain solid and stranded conductors from 0.2 to 4 mm² (24 ... 12 AWG)



③ Click luminaire into hole



- ④ Turn on mains power supply



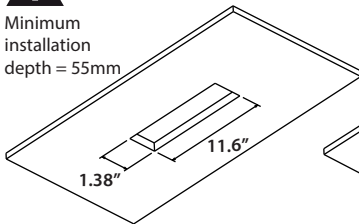
Replaceable light source by a professional

Installation with FRAME for PLASTER (417799):

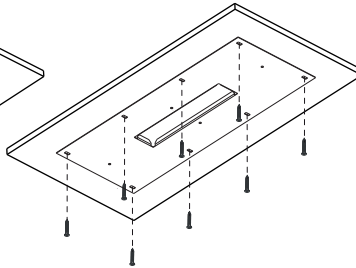
- ① Make prescribed hole in the ceiling



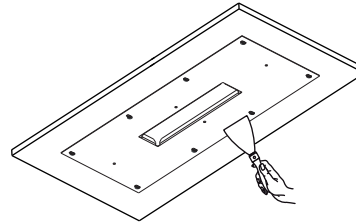
Minimum installation depth = 55mm



- ② Mount the plasterkit



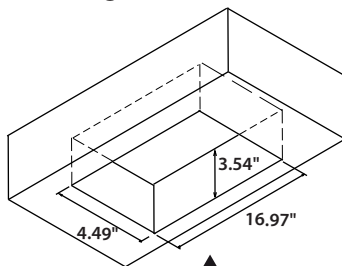
- ③ Add plaster to kit and screws Sand and paint afterwards



- ④ Follow step 2 from regular installation for further finishing

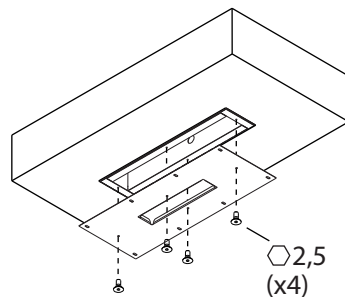
Installation with FRAME + BOX for PLASTER (417797):

- ① Mount conbox in hole using screws / concrete

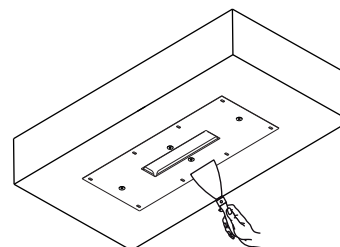


Minimum hole_size: 16.97" x 4.49" x 3.54"

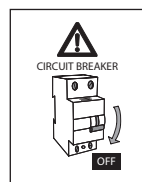
- ② Mount the plasterkit



- ③ Add plaster to kit and screws Sand and paint afterwards



- ④ Follow step 2 from regular installation for further finishing



ALWAYS DISCONNECT MAINS POWER SUPPLY FROM CONVERTER BEFORE SWITCHING "ON" LED LUMINAIRES TO PREVENT HOT PLUGGING ISSUES

