

# MUSE SPOT 02 BEND-SHAPE STEM 31.5" designplan®

datasheet

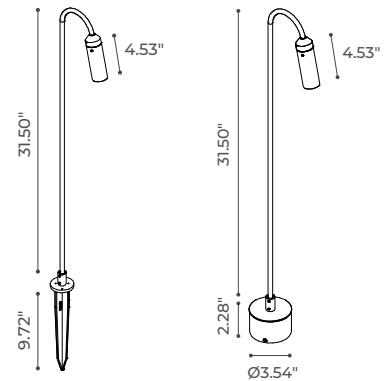
MUSE is a modular outdoor lamp system that offers multiple lighting solutions based on the needs of the user, by combining one of the 3 emission sources - CAPSULE, STILLA and SPOT - with various installation accessories. MUSE SPOT 02 BEND-SHAPE STEM is an extra resilient glass cylinder on a decorative stem that can be mounted using a base or spike. It is available in 2 stem heights, 2 color temperatures with a black finish.



## TECHNICAL DATA

<b>Wattage</b>	2W
<b>Power Supply</b>	Remote 24VDC, not included. See page 2.
<b>Construction</b>	Body: Anodized Aluminum Lens: Sandblasted Glass
<b>CCT</b>	2700K, 3000K
<b>CRI</b>	>80
<b>BUG Rating</b>	B0-U0-G0 (3000K)
<b>Delivered Lumens</b>	236 lm (36°, 3000K)
<b>Efficacy</b>	118 lm/W
<b>Optics</b>	18°, 36°
<b>Finishes</b>	Black
<b>Fixture Dimensions</b>	Head: Ø1.42" x 4.88" Stem: 31.5" Base: Ø3.54" / Spike: 9.72"
<b>LED Source</b>	Mid Power LED
<b>IP Rating</b>	IP65
<b>Impact Resistance</b>	IK05

Fixture Dimensions



## ORDERING INFORMATION

Example: D9020324211.US. Power supplies ordered separately.

D9020			11	US
Model No.	CCT	Optic / Installation	Finish	
D9020	32 - 2700K	39 - 18° with Base / Honeycomb	11 - Black	US
	12 - 3000K	40 - 18° with Base / No Honeycomb		
		43 - 36° with Base / Honeycomb		
		44 - 36° with Base / No Honeycomb		
		41 - 18° with Spike / Honeycomb		
		42 - 18° with Spike / No Honeycomb		
	45 - 36° with Spike / Honeycomb			
	46 - 36° with Spike / No Honeycomb			

Job Name/Date:

Fixture Type Designation:

## SUGGESTED POWER SUPPLIES

24VDC

Part Number	Description	Input/Output	# of Fixtures
<a href="#">PPLT00691</a>	Non-Dim	120-277VAC to 24VDC, 60W, Class 2, IP67	1-24
<a href="#">PPLT00543</a>	0-10V Dimming (to 15%) (-40°C / -40°F cold start)	120-277VAC to 24VDC, 100W, Class 2	5-40

## Suggested Lutron Compatible

Part Number	Option	Lutron SKU	Dim Range	Description	Input/Output	# of Fixtures
<a href="#">PPLT00530</a>	L3DAE / L3DA3W	L3DA	100%-1%	Hi-Lume™ 1% EcoSystem™ or 1% 3-Wire LED Driver	120-277VAC to 24VDC, 96W, Class 2	1-38

## DRIVERS IN NEMA ENCLOSURE

Remote 24VDC - ELV / TRIAC / 0-10V



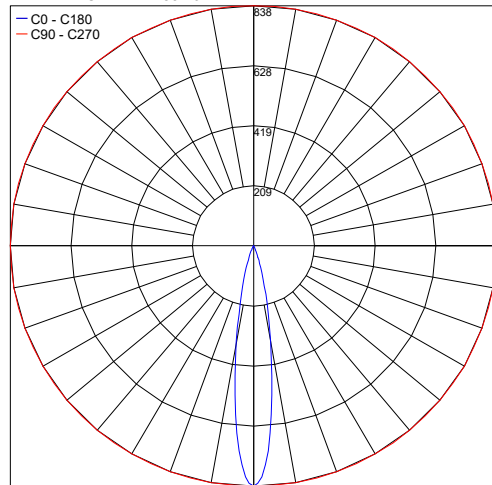
PPLT00715

Part Number	Description	Input/Output	# of Fixtures
<a href="#">PPLT00715</a>	ELV / TRIAC / 0-10V Dimming to 0.1%	120-277VAC to 24VDC, 96W, Class 2, WET/DAMP	1-38

For other power supply options consult factory.

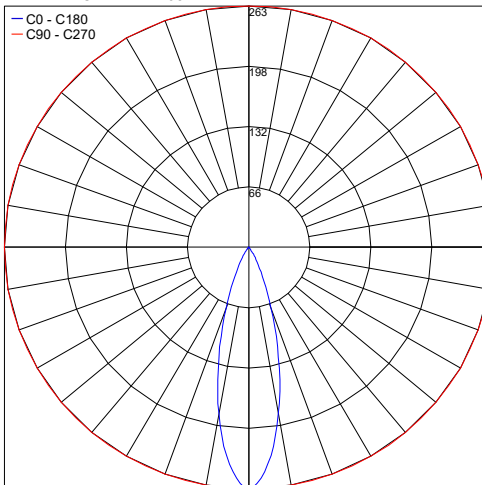
## PHOTOMETRIC DATA - Note: All photometry is 3000K

Maximum Candela = 837.9



PHOTOMETRIC FILENAME : MUSE-SPOT-02-3000K-18"-WITH-HONEYCOMB-19.7" or 31.5".IES

Maximum Candela = 263.4



PHOTOMETRIC FILENAME : MUSE-SPOT-02-3000K-36"-WITH-HONEYCOMB-19.7" or 31.5".IES

Job Name/Date:

Fixture Type Designation: