

# UOP

THE LIGHT DOES NOT ALWAYS HAVE A RECTILINEAR COURSE IN ORDER TO PROPERLY ILLUMINATE AN ENVIRONMENT. ON THE CONTRARY, THERE ARE APPLICATIONS THAT REQUIRE A SPECIFIC DIRECTION AND A WIDE BEAM WITHOUT GENERATING GLARE. WITH THE REDESIGN OF UOP WE HAVE ACHIEVED JUST THAT, MINIATURIZING EVERY PART OF THE PREVIOUS VERSION, MAINTAINING ITS STRENGTHS AND EXTENDING ITS POTENTIAL, CONDENSING THEM INTO A COMPACT AND RELIABLE PRODUCT THAT PRODUCES A PHOTOMETRIC WIDTH THAT IS UNIQUE FOR ITS CATEGORY, ALL WITH THE USUAL CARE AND RELIABILITY THAT YOU HAVE RECOGNIZED IN FRANCESCONI OVER THE YEARS.

## COMMON FEATURES:

- 6026 ANTICORODAL ALUMINUM HOUSING.
- ANODIZED OXIDATION TREATMENT 30 MICRON (UNI ISO9227:2012 SALINE TEST COMPLIANT).
- EXTRA CLEAR TEMPERED GLASS SCREEN.
- SINGLE-CABLE INPUT, PRE-ASSEMBLED WITH NEOPRENE CABLE.
- SILICON GASKET.
- COMPLIANT EN60598-1 AND RELATED ANNEX.

## RECESSED INGROUND FEATURES:

- POLYPROPYLENE RECESSING BOX

## RECESSED WALL FEATURES:

- ANTICORODAL 6026 ALUMINUM RECESSING BOX
- ANODIZED OXIDATION TREATMENT 30 MICRON (UNI ISO9227:2012 SALINE TEST COMPLIANT).

designplan® 



# IN GOOD SHAPE

WE HAVE PUT OUR BELOVED UOP BACK IN SHAPE BY OBTAINING THIS NEW EDITION. IT IS MORE EFFICIENT, COMPACT, AND FUNCTIONAL. IT IS ALSO COMPACT, MAKING IT EVEN EASIER TO INSTALL WITHOUT SACRIFICING ITS MOST APPRECIATED STRENGTHS, SUCH AS A UNIQUE BEAM WIDTH, AND 24V CONVERTER TO FACILITATE MULTIPLE CONNECTIONS.



# TOTAL CONTROL

WE HAVE ALSO COMPLETELY REDESIGNED THE INTERNAL TECHNICAL COMPARTMENT, TO PROVIDE THE LARGEST RANGE OF POSSIBLE FUNCTIONS, (INCLUDING RECESSED FLOOR FOR LIGHT GRAZING EFFECTS), WITHOUT SACRIFICING THE STRENGTHS OF OUR ORIGINAL UOP, AND ENRICHING THEM WITH NEW, IMPORTANT FEATURES SUCH AS ACCURATE LIGHT CONTROL TO AVOID CREATING ANY GLARE.



# UOP RECESSED



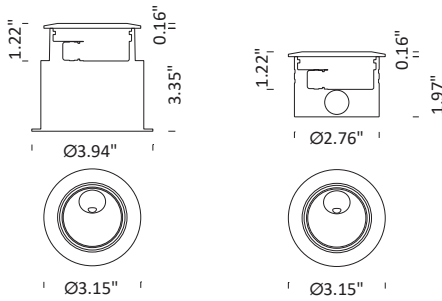
## PERFORMANCE DATA

TRUE POWER (W)	2.0W	2.0W
TRUE LUMENS (3000K)	164 (.06)	164 (.06)
TRUE LUMENS (4000K)	171 (.06)	171 (.06)
L90 LIFETIME (HRS)	80.000 (TA 35°C)	80.000 (TA 35°C)

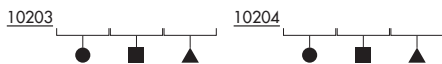
## BUILD DATA

NOMINAL VOLTAGE	24VDC - DIMMABLE	24VDC - DIMMABLE
POWER SUPPLY	REMOTE, NOT INCLUDED	REMOTE, NOT INCLUDED
EXTERNAL CABLE	SINGLE INPUT	SINGLE INPUT
PROTECTION RATING	2-POLES NEOPRENE	2-POLES NEOPRENE
MAX LOAD	IP67 - IK08	IP67 - IK08
	3307 lbs (WALK OVER)	3307 lbs (WALK OVER)

## DIMENSIONS



## CODE COMPOSITION



● FINISH	.3 - ANODIZED MATTE BLACK .5 - ANODIZED ALUMINUM	.3 - ANODIZED MATTE BLACK .5 - ANODIZED ALUMINUM
■ LED COLOR	.2 - 2700°K - CRI > 80 .3 - 3000°K - CRI > 80 .4 - 4000°K - CRI > 80	.2 - 2700°K - CRI > 80 .3 - 3000°K - CRI > 80 .4 - 4000°K - CRI > 80
▲ BEAM	.06 - ASYMMETRICAL	.06 - ASYMMETRICAL



