

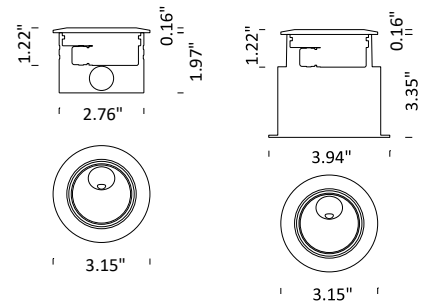
UOP is a compact and powerful recessed wall or in-grade uplight that produces a photometric width that is unique for its category. It is available in 2 versions that are walkover safe up to 3000 lbs, and offered in 3 color temperatures with asymmetric optics and 2 standard finishes.



TECHNICAL DATA

Wattage	2W
Power Supply	Remote 24VDC, not included. See page 2
Construction	Housing: Anticorodal Aluminum Lens: Extra Clear Tempered Glass Cable Length: 15.75"
CCT	2700K, 3000K, 4000K
CRI	>80
BUG Rating	B0-U3-G0 (3000K)
Lumen Output	164 lm (3000K)
Efficacy	82 lm/W (3000K)
Optics	Asymmetric
Finishes	Anodized Aluminum White 101N Jet Black (RAL9005)
Fixture Dimensions	Ø3.15" x 1.97" or 3.35" depth
Lumen Maintenance	L90, 80,000 hrs (Ta 35°C)
Color Consistency	3-Step MacAdam
Operating Temp.	-4°F to +122°F
IP Rating	IP67
Impact Resistance	IK08
Walkover Rated	Up to 3306.9 lbs

Fixture Dimensions



ORDERING INFORMATION

Example: F10203.3.2.06.US. Power Supplies ordered separately. Backbox included.

			06	US
Model No.	Finish	CCT	Optics	
F10203 - 3.35" depth	3 - Black (RAL 9005)	2 - 2700K	06 - Asymmetric	US
F10204 - 1.97" depth	5 - Anodized Aluminum White	3 - 3000K		
		4 - 4000K		

Job Name/Date:

Fixture Type Designation:

SUGGESTED POWER SUPPLIES

24VDC

Part Number	Description	Input/Output	# of Fixtures
PPLT00284	Non-Dim	120-277VAC to 24VDC, 100W, Class 2, DAMP	1-40
PPLT00543	0-10V Dimming to 15% (-40°C / -40°F cold weather start)	120-277VAC to 24VDC, 100W, Class 2	5-40

Suggested Lutron Compatible

Part Number	Option	Lutron SKU	Dim Range	Description	Input/Output	# of Fixtures
PPLT00530	L3DAE / L3D0	L3DA/L3D0	100%-1%	Hi-Lume™ 0.1% EcoSystem™ or 3-Wire LED Driver	120-277VAC to 24VDC, 96W, Class 2	1-38

DRIVERS IN NEMA 4X ENCLOSURE

Remote 24VDC - ELV / TRIAC / 0-10V



PPLT00715

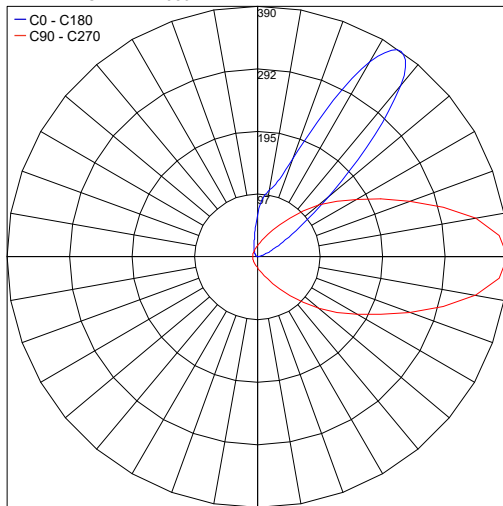
Part Number	Description	Input/Output	# of Fixtures
PPLT00715	ELV / TRIAC / 0-10V Dimming to 0.1%	120-277VAC to 24VDC, 96W, Class 2, WET/DAMP	1-38

For other power supply options consult factory.

PHOTOMETRIC DATA

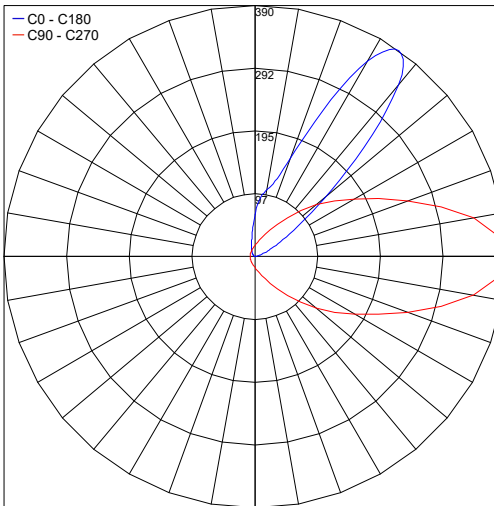
Note: All photometry is 3000K

Maximum Candela = 389.7



PHOTOMETRIC FILENAME : UOP 2.0IN DEPTH 30K - 10204.X.3.06.IES

Maximum Candela = 389.7



PHOTOMETRIC FILENAME : UOP 3.4IN DEPTH 30K - 10203.X.3.06.IES

Job Name/Date:

Fixture Type Designation: