

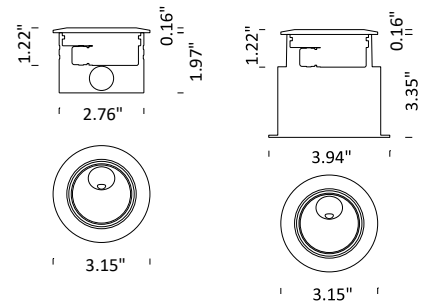
UOP is a compact and powerful recessed wall or in-grade uplight that produces a photometric width that is unique for its category. It is available in 2 versions that are walkover safe up to 3000 lbs, and offered in 3 color temperatures with asymmetric optics and 2 standard finishes.



## TECHNICAL DATA

<b>Wattage</b>	2W
<b>Power Supply</b>	Remote 24VDC, not included. See page 2
<b>Construction</b>	Housing: Anticorodal Aluminum Lens: Extra Clear Tempered Glass Cable Length: 15.75"
<b>CCT</b>	2700K, 3000K, 4000K
<b>CRI</b>	>80
<b>BUG Rating</b>	Coming Soon
<b>Lumen Output</b>	164 lm (3000K)
<b>Efficacy</b>	82 lm/W (3000K)
<b>Optics</b>	Asymmetric
<b>Finishes</b>	Anodized Aluminum White 101N Jet Black (RAL9005)
<b>Fixture Dimensions</b>	Ø3.15" x 1.97" or 3.35" depth
<b>Lumen Maintenance</b>	L90, 80,000 hrs (Ta 35°C)
<b>Color Consistency</b>	3-Step MacAdam
<b>Operating Temp.</b>	-4°F to +122°F
<b>IP Rating</b>	IP67
<b>Impact Resistance</b>	IK08
<b>Walkover Rated</b>	Up to 3306.9 lbs

Fixture Dimensions



## ORDERING INFORMATION

Example: F10203.3.2.06.US. Power Supplies ordered separately. Backbox included.

			<b>06</b>	<b>US</b>
<b>Model No.</b>	<b>Finish</b>	<b>CCT</b>	<b>Optics</b>	
F10203 - 3.35" depth	3 - Black (RAL 9005)	2 - 2700K	06 - Asymmetric	<b>US</b>
F10204 - 1.97" depth	5 - Anodized Aluminum White	3 - 3000K		
		4 - 4000K		

Job Name/Date:

Fixture Type Designation:

**SUGGESTED POWER SUPPLIES**

24VDC

Part Number	Description	Input/Output	# of Fixtures
<a href="#">PPLT00284</a>	Non-Dim	120-277VAC to 24VDC, 100W, Class 2, DAMP	1-40
<a href="#">PPLT00543</a>	0-10V Dimming to 15% (-40°C / -40°F cold weather start)	120-277VAC to 24VDC, 100W, Class 2	5-40

Suggested Lutron Compatible

Part Number	Option	Lutron SKU	Dim Range	Description	Input/Output	# of Fixtures
<a href="#">PPLT00530</a>	L3DAE / L3D0	L3DA/L3D0	100%-1%	Hi-Lume™ 0.1% EcoSystem™ or 3-Wire LED Driver	120-277VAC to 24VDC, 96W, Class 2	1-38

**DRIVERS IN NEMA ENCLOSURE**

Remote 24VDC - ELV / TRIAC / 0-10V



PPLT00715

Part Number	Description	Input/Output	# of Fixtures
<a href="#">PPLT00715</a>	ELV / TRIAC / 0-10V Dimming to 0.1%	120-277VAC to 24VDC, 96W, Class 2, WET/DAMP	1-38

For other power supply options consult factory.

**PHOTOMETRIC DATA**

Coming Soon

Job Name/Date:

Fixture Type Designation: