



**INSTRUCTIONS PERTAINING TO RISK OF FIRE OR INJURY TO PERSONS. READ ALL INSTRUCTIONS. IMPORTANT SAFETY INSTRUCTIONS. SAVE THESE INSTRUCTIONS.**

**DANGER - RISK OF SHOCK - DISCONNECT POWER BEFORE INSTALLATION! Please read all instructions before installation.**

- Keep these instructions for future reference.
- Must be installed by a qualified electrician in accordance with national and local standards. Designplan is not responsible for fixtures installed without regard to these standards.
- The main power connection must be in accordance with local electrical codes.
- Unauthorized alterations or tampering of product voids warranty.
- Suitable for INDOOR applications.
- DO NOT INSTALL INSULATION WITHIN 3.0" (76 mm) OF ANY PART OF THE LUMINAIRE.



## Electrical Connections:

- LED lights must be **connected in series** respecting polarities.
- **CHOOSE POWER SUPPLY ACCORDINGLY.** Please consider the voltage through which fixtures are fed as well as the max power consumption.
- **Connect power only if all fixtures are connected.**
- The power supplies **MUST** be installed in aerated rooms, far from heat sources. Overworking or lack of air circulation will not permit natural dissipation.
- The electronic power supply is current-stable, therefore it partially compensates the voltage-drop problems related to the cable length; we suggest not to exceed 100 ft.
- Use only Class 2 type electronic power supply.
- Never use switches on secondary circuit.

**ATTENTION:** For Wall/Ceiling - It is the contractor's responsibility to caulk around all the edges between the fixture and the mounting surface to satisfy wet label requirements. Contractor **MUST** use gel-filled wire nuts.

## Maintenance

Scheduled maintenance must be carried out once a year on all lighting devices, regardless of appliance class and type of use. It must include the following operations:

- Periodically clean fixtures to remove dirt from gratings and screw heads.
- Check tightness of screws on various parts of the device.
- Check that all cable glands and cables are intact and tight. Check that the glass or plastic screen is intact, and replace it if broken or damaged.
- The internal components such as the ballast, driver, washers and screws must not show clear signs of oxidation or rust. Clear traces of rust and oxidation will indicate the presence of water inside the device.
- In the case of damage, the components must be replaced by original components or spare parts.

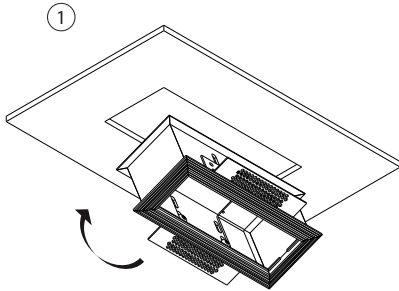
# BOA CEILING TRIMLESS RECESSED



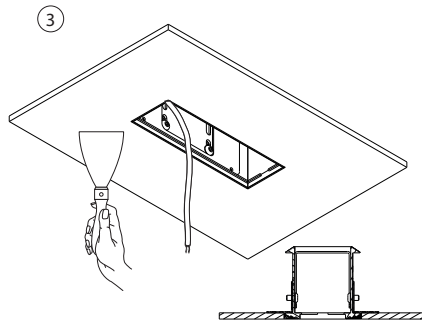
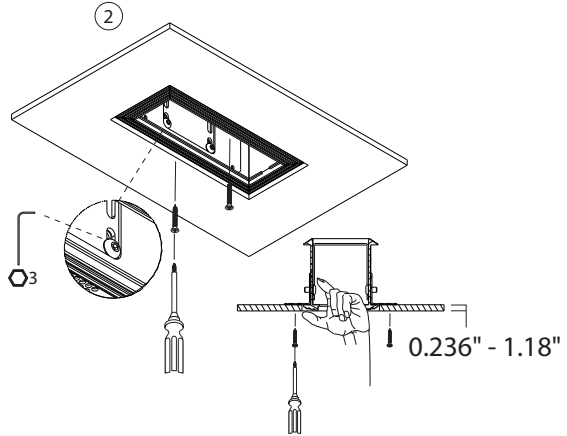
7W, REMOTE 700mA

installation instructions

## A. BOA TRIMLESS FRAME IN (HOLLOW CEILINGS) USE 701117 BOA TRIMLESS FRAME



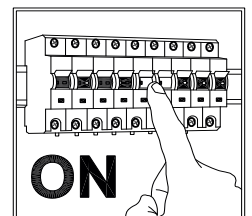
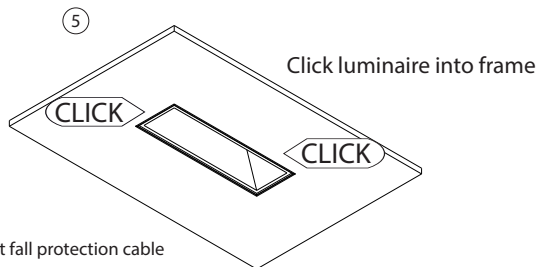
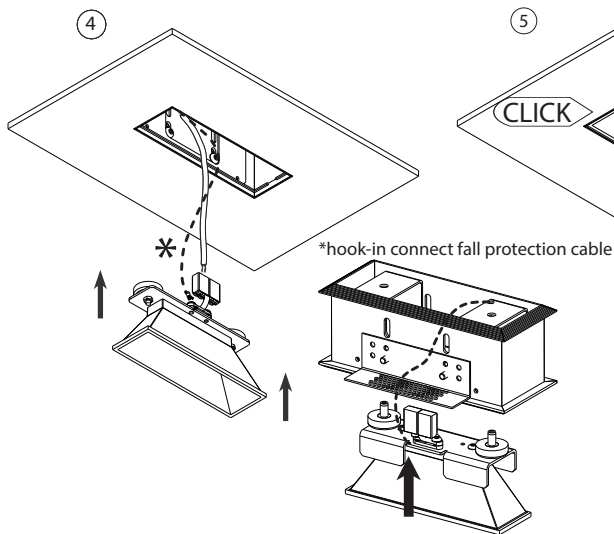
Make Hole size : 6.89" x 2.95"  
(min depth 3.15")



max. 700mA DC

⚠

⊕ ⊖  
RED BLACK  
positive negative



# BOA CEILING TRIMLESS RECESSED

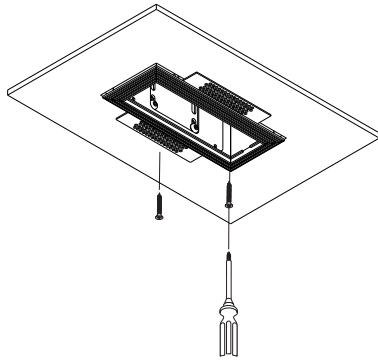
7W, REMOTE 700mA

installation instructions

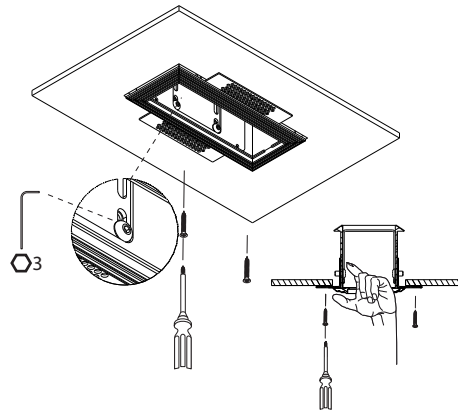
## B. BOA TRIMLESS FRAME ON (HOLLOW CEILINGS)

USE 701117 BOA TRIMLESS FRAME

①

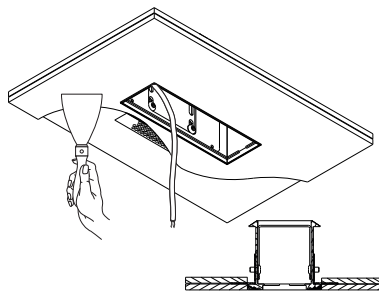


②



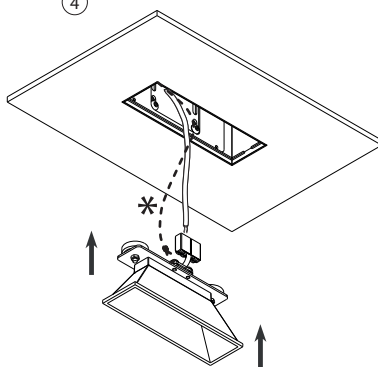
Make Hole size : 6.89" x 2.95"  
(min depth 3.15")

③

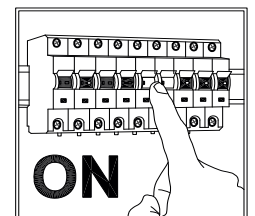
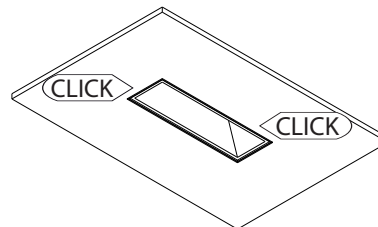


PLASTER THICKNESS MINIMUM 0.236"  
MAXIMUM 1.18"

④



⑤



# BOA CEILING TRIMLESS RECESSED

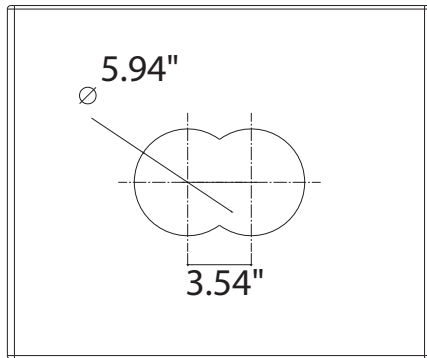
7W, REMOTE 700mA

installation instructions

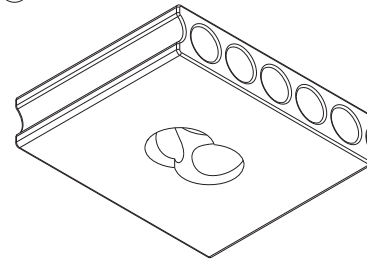
## C. BOA TRIMLESS FRAME ON PLASTERBOARD (CONCRETE SLABS)

USE 701187 BOA TRIMLESS FLAME FOR PLASTERED CONCRETE SLABS

①

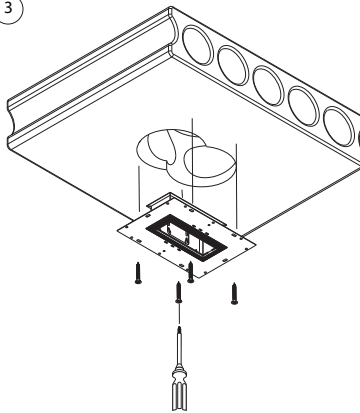


②

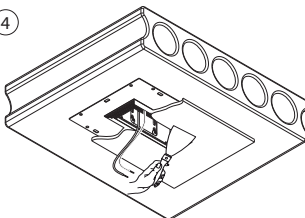


(min depth 3.15")

③

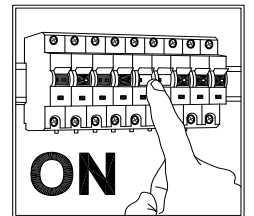
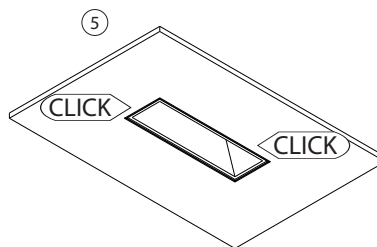


④



PLASTER THICKNESS MINIMUM 0.236"  
MAXIMUM 1.18"

⑤

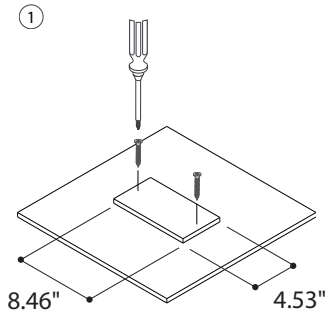


# BOA CEILING TRIMLESS RECESSED

7W, REMOTE 700mA

installation instructions

## D. BOA TRIMLESS FRAME ON CONBOX (CAST CONCRETE CEILINGS) USE 701177 BOA TRIMLESS FRAME + BOX FOR PLASTER



Prepare wooden flat plane  
(wood not included)

