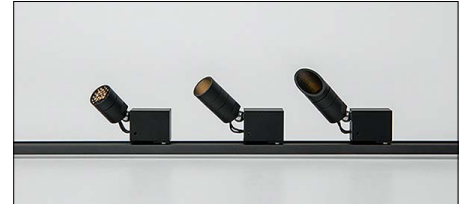


With a head diameter of just 0.5 inches (12 mm), the C1-nano-HC is the latest in the series of small magnetic track spotlights. Designed for applications where lighting should remain subtle yet deliver precise impact, the minimalist magnetic ball joint enables exact alignment with 180° tilt and 360° rotation. Dimming is controlled directly on the fixture via a magnetic pen – flicker-free at 20 kHz across a range of 1–100%. Up to seven interchangeable optics and a range of accessories available.



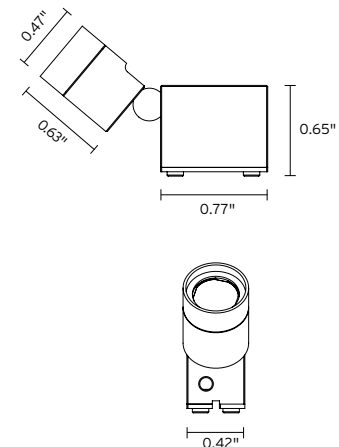
The dimming sensor is located at the cable entry in the lamp base. See more page 2.



## TECHNICAL DATA

<b>Wattage / Input</b>	1.1W (12VDC)
<b>Power Supply</b>	Remote - See Magnetic Track Sheet
<b>Dimming</b>	On Board with Dimming Pen (included) Flicker-free at 20 kHz across a range 1–100% Uses Dimming Pen for Individual Dimming
<b>Construction</b>	Body: Anodized Aluminum
<b>CCT</b>	2700K, 3000K, 3500K, 4000K, 5700K
<b>CRI</b>	>90
<b>Delivered Lumens</b>	94 lm (3000K, 30°)
<b>Efficacy</b>	85.5 lm/W (3000K, 30°)
<b>Optics</b>	7 Standard, See Below 8° or 15° Glass Lens - Aspherical w/ Diffusion Foil (See Accessories page)
<b>Finishes</b>	2 Standard Custom RAL Available
<b>Fixture Dimensions</b>	Ø0.47" x 0.63" (head) 0.42" x 0.77" x 0.65" h (magnetic base)
<b>Lumen Maintenance</b>	L80, B10 >50,000hrs
<b>IP Rating</b>	IP20

## Fixture Dimensions



## ORDERING INFORMATION

Example: C1-NANO-HC-1-40-18-SI-M. Accessories / Power Supplies ordered separately.

C1-NANO-HC	-	1	-		-		-		-	M
Model No.	Wattage	CCT	Optics	Finish	Base					
C1-NANO-HC (A400411)	1 - 1.1W	27 - 2700K 30 - 3000K 35 - 3500K 40 - 4000K 57 - 5700K	18 - 18° 26 - 26° 30 - 30° 45 - 45° 80 - 80° 47 - 47°+25° 40 - 40°+10°	SW - Matte Black SI - Silver <u>Custom (min. 10)</u> GO - Gold CH - Champagne BR - Mocha Bronze RAL - Custom RAL	M - Magnetic					

Job Name/Date:

Fixture Type Designation:

## ACCESSORIES



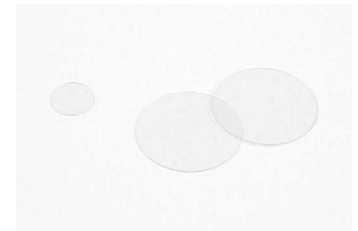
**Honeycomb Grid**  
A000604



**Anti-Glare Tube**  
A200588-V2 - \_\_\_  
SI - silver  
SW - black  
CH - champagne (min. 10)  
GO - gold (min. 10)  
BR - mocha bronze (min. 10)



**Inclined Tube**  
A200587-V2 - \_\_\_  
SI - silver  
SW - black  
CH - champagne (min. 10)  
GO - gold (min. 10)  
BR - mocha bronze (min. 10)



**15° Glass Lens**  
A000500-S  
Aspherical with Light Diffusion Foil  
and Lens Holder

**Thin (Schmaler) Cover**  
A200442 - \_\_\_  
SI - silver  
SW - black

**For 8° Optic**  
Use 15° Glass Lens (A000500-S)  
and Snoot (A300005)

## DIMMING

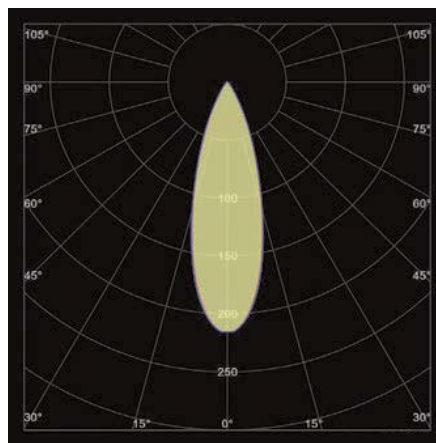
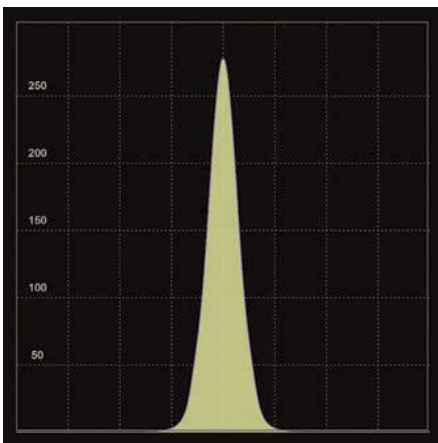
Place the dimming pen in the sensor area. As soon as the green feedback LED lights up at the cable entry, the sensor is activated and the spotlight is dimmed. The dimming process stops by removing the pen. When the dimming pen is attached again, the dimming direction is changed. Your set dimming is automatically saved after approx. 5 - 10 seconds. The dimming range is flicker-free adjustable from 100% to 10% in 256 steps. The spotlight is set to 100% at initial start-up.



Dimming Pen included

## PHOTOMETRIC DATA

light color ~3000 K | standard lens 30° | CRI typ. 97, R9 > 90, R12 > 90 | color variation ≤ 3 SDCM | distance ~39.4 in



Job Name/Date:

Fixture Type Designation: