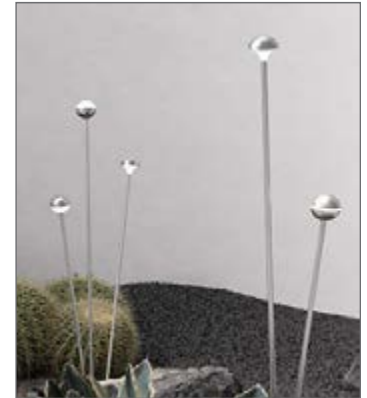




INSTRUCTIONS PERTAINING TO RISK OF FIRE OR INJURY TO PERSONS. READ ALL INSTRUCTIONS. IMPORTANT SAFETY INSTRUCTIONS. SAVE THESE INSTRUCTIONS.

DANGER - RISK OF SHOCK - DISCONNECT POWER BEFORE INSTALLATION! Please read all instructions before installation.

- Keep these instructions for future reference.
- Must be installed by a qualified electrician in accordance with national and local standards. Designplan is not responsible for fixtures installed without regard to these standards.
- Unauthorized alterations or tampering of product voids warranty.
- The main power connection must be in accordance with local electrical codes.
- Suitable for OUTDOOR applications.



IP66 IK06

Electrical Connections:

- LED lights must be **connected in parallel** respecting polarities.
- **CHOOSE POWER SUPPLY ACCORDINGLY.** Please consider the voltage through which fixtures are fed as well as the max power consumption.
- **Connect power only if all the fixtures are connected.**
- The power supplies **MUST** be installed in aerated rooms, far from heat sources. Overworking or lack of air circulation will not permit natural dissipation.
- Use only Class 2 type electronic power supply.
- Never use switches on secondary circuit.

ATTENTION: **For In-Grade** - It is the contractor's responsibility to seal the conduit with "Great Stuff" aerosol seal that prevents water and moisture penetration for ultimate protection. Contractor **MUST** use gel-filled wire nuts.

Maintenance

Scheduled maintenance must be carried out once a year on all lighting devices, regardless of appliance class and type of use. It must include the following operations:

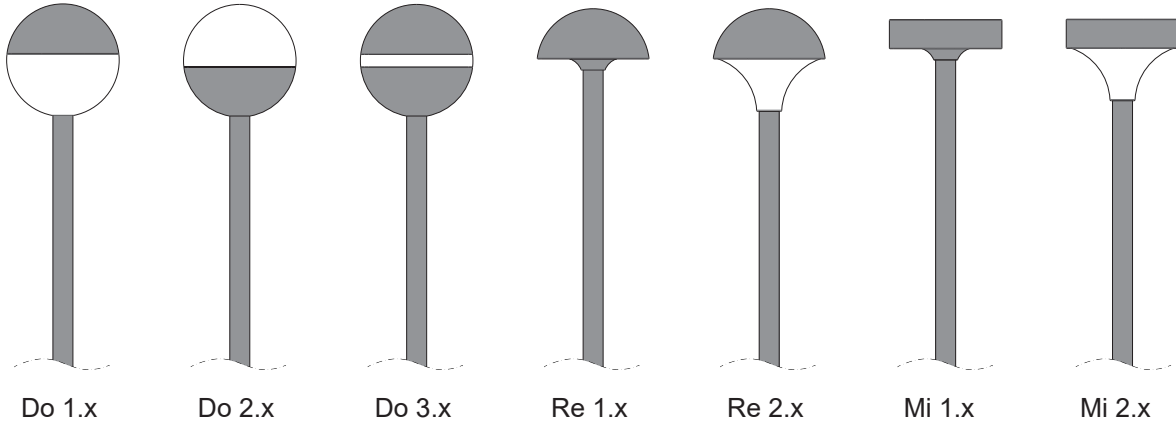
- Periodically clean fixtures to remove dirt from gratings and screw heads.
- Check tightness of screws on various parts of the device.
- Check that all cable glands and cables are intact and tight. Check that the glass or plastic lens is intact, and replace it if broken or damaged.
- The internal components such as the ballast, driver, washers and screws must not show clear signs of oxidation or rust. Clear traces of rust and oxidation will indicate the presence of water inside the device.
- In the case of damage, the components must be replaced by original components or spare parts.

DO, RE, MI 1.x - 2.x - 3.x

1W, REMOTE 24VDC

installation instructions

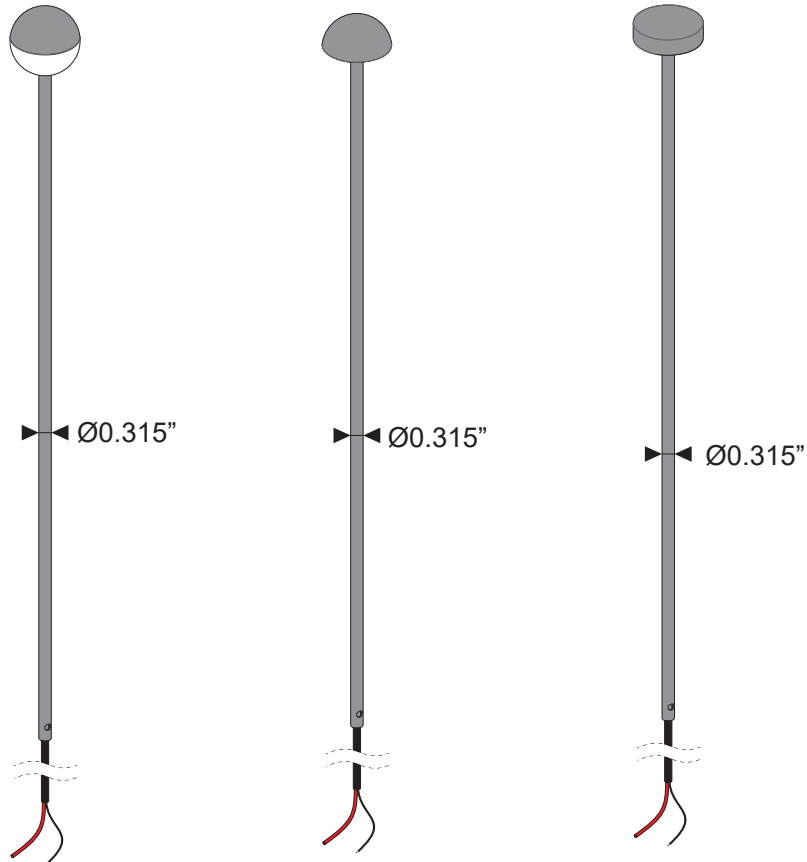
FIXTURE DIMENSIONS:



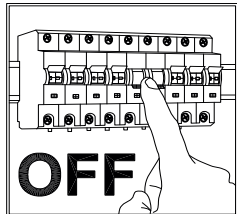
Do x.1 - H 19.7"
Do x.2 - H 31.5"
Do x.3 - H 43.3"

Re x.0 - H 19.7"
Re x.1 - H 31.5"
Re x.2 - H 43.3"

Mi x.0 - H 19.7"
Mi x.1 - H 31.5"
Mi x.2 - H 43.3"



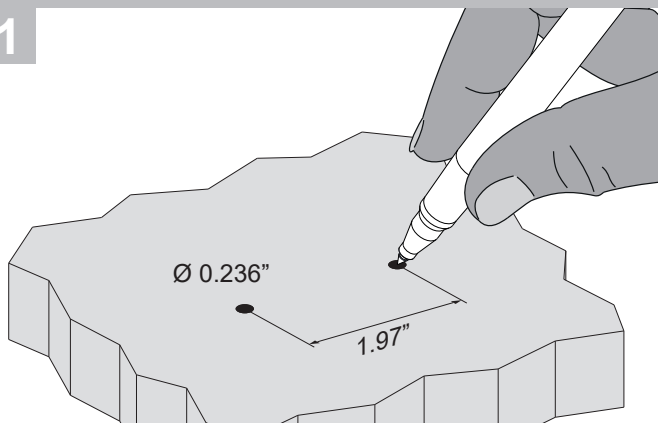
FIXTURE INSTALLATION



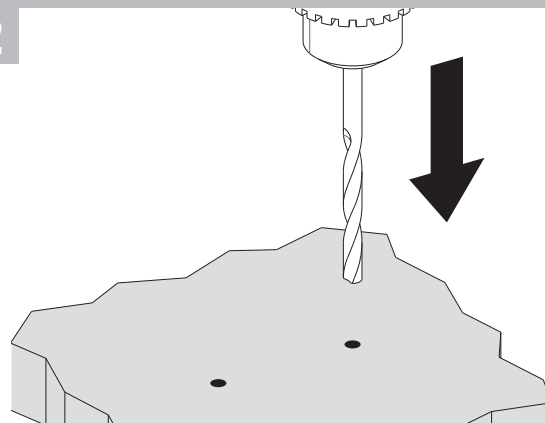
- It is the contractor's responsibility to caulk around all the edges between the fixture and the mounting surface, to satisfy wet label requirements.
- It is the contractor's responsibility to install Remote Driver in a suitable electrical enclosure.

INSTALLATION WITH WDA33X

1



2

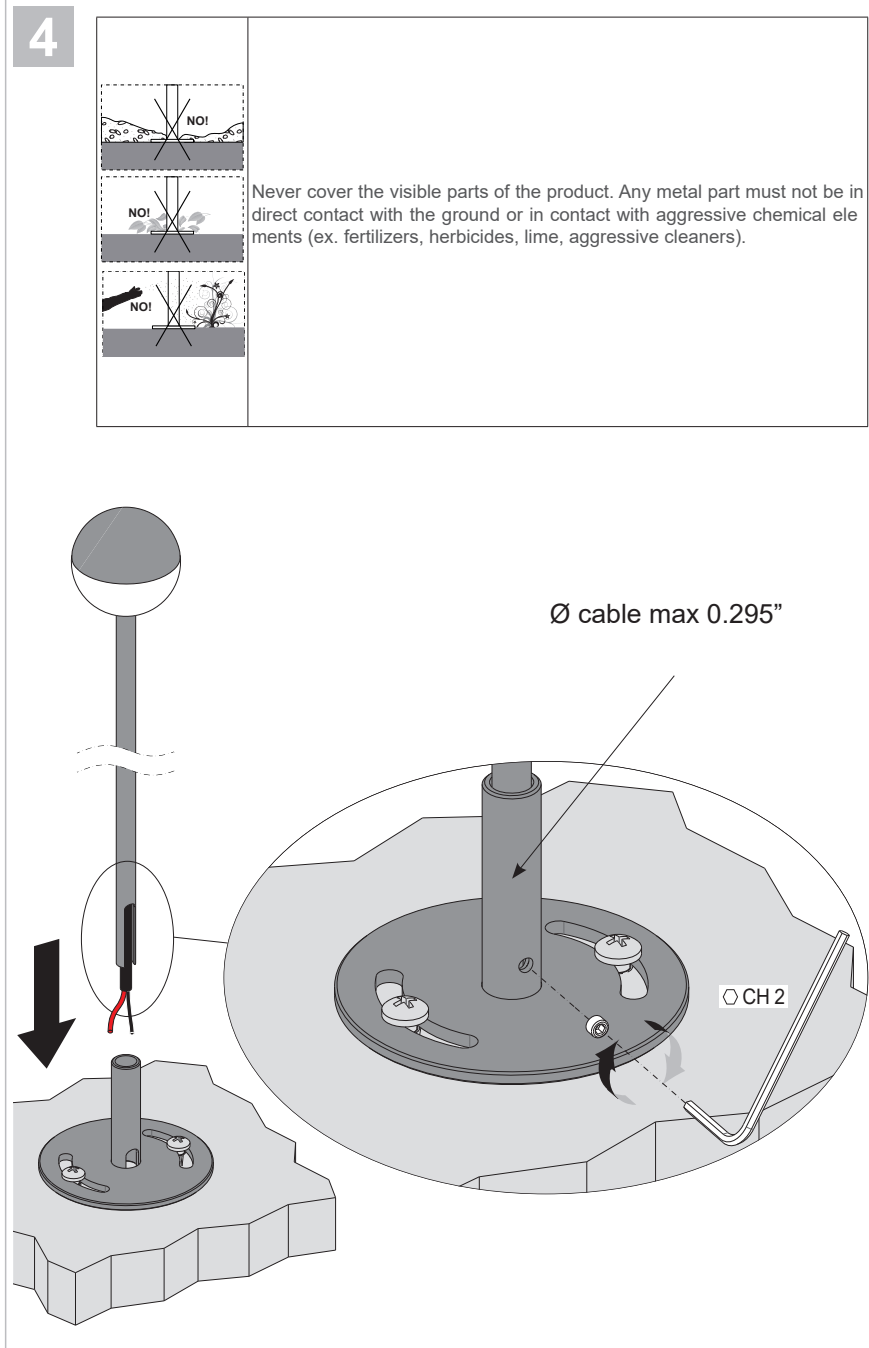
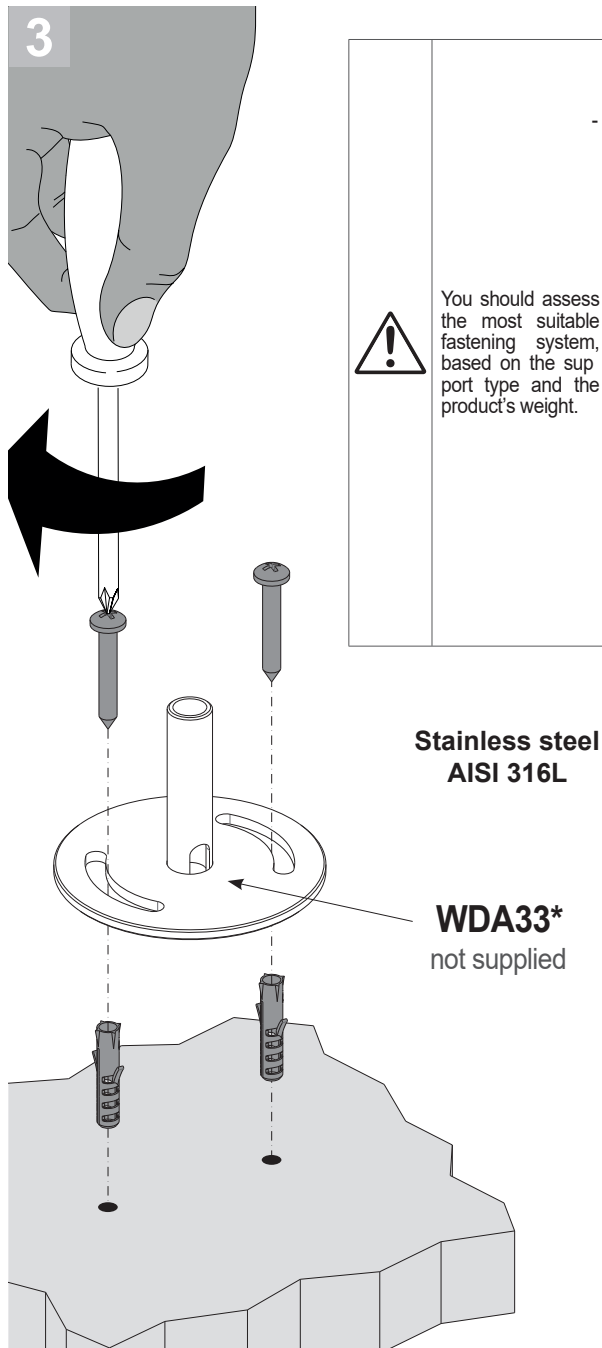


DO, RE, MI 1.x - 2.x - 3.x

1W, REMOTE 24VDC

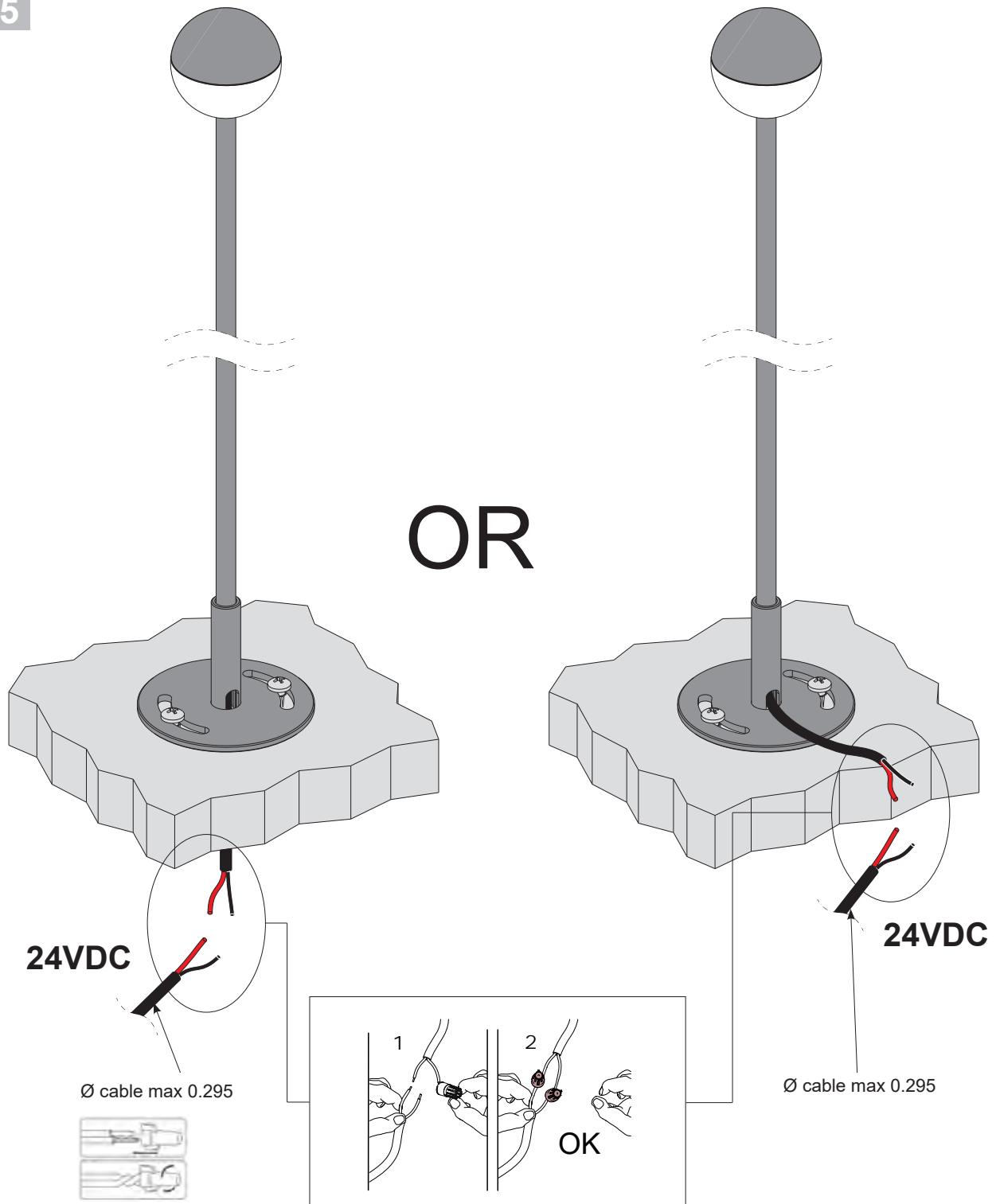
designplan®

installation instructions



INSTALLATION WITH WDA33X

5

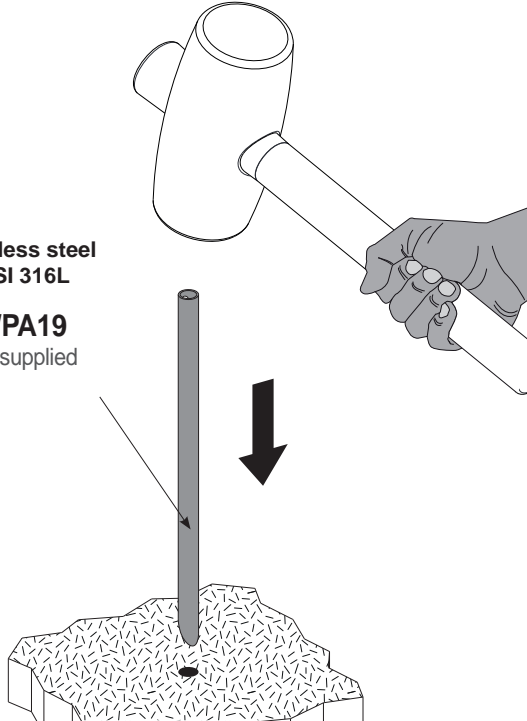


Use gel-filled waterproof wire-nuts for wire connections.

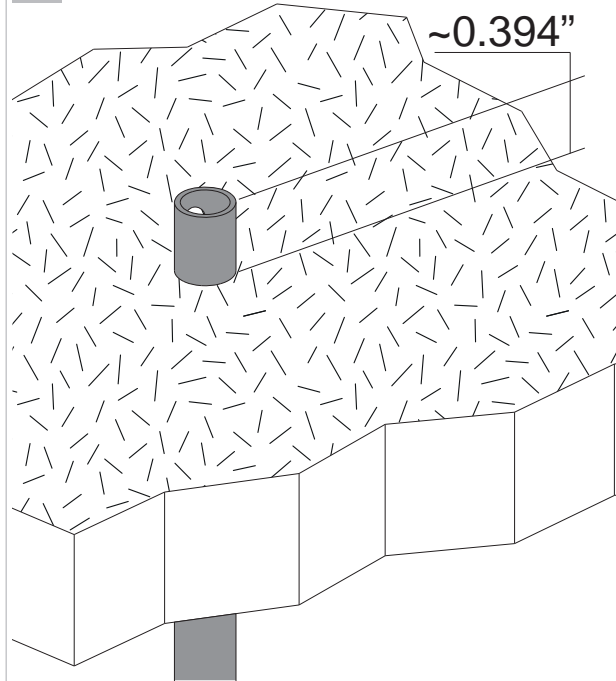
INSTALLATION WITH WPA19

1

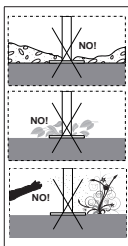
Stainless steel
AISI 316L
WPA19
not supplied



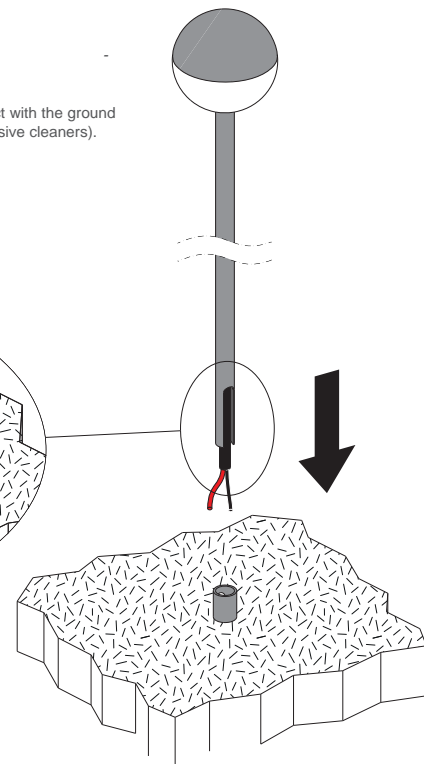
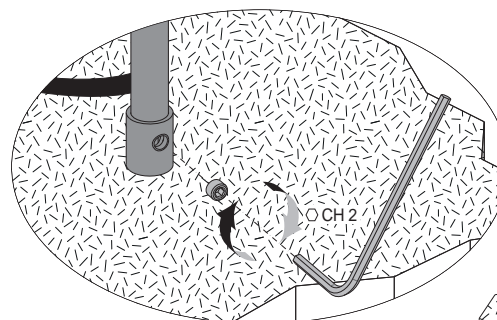
2



3



Never cover the visible parts of the product. Any metal part must not be in direct contact with the ground or in contact with aggressive chemical elements (ex. fertilizers, herbicides, lime, aggressive cleaners).



INSTALLATION WITH WPA19

4

