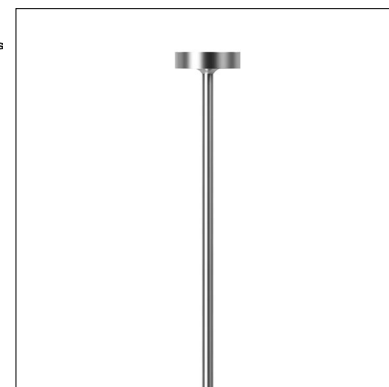


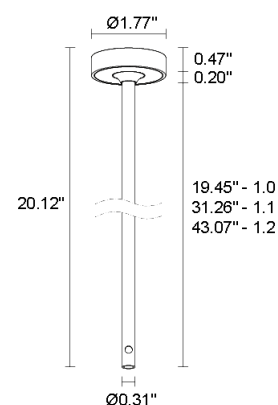
DoReMi is a collection of decorative stainless steel outdoor bollards that become luminous accents for gardens, terraces and outdoor spaces with a variety of forms – spheres, hemispheres, cones and flat circular heads – available in 3 heights (19.7”, 31.5”, and 43.3”). Mi 1 is a version with a flat circular head offered in 4 color temperatures with diffuse optics and 5 standard finishes.



## TECHNICAL DATA

<b>Wattage</b>	0.9W
<b>Power Supply</b>	Remote 24VDC, not included. See page 3.
<b>Construction</b>	Body / Bracket: Stainless Steel AISI 316L Lens: Acrylic (PMMA) Cable Length: 4.92' Standard
<b>CCT</b>	2200K, 2700K, 3000K, 4000K
<b>CRI</b>	80
<b>BUG Rating</b>	B0-U1-G0 (3000K)
<b>Delivered Lumens</b>	75 lm (3000K)
<b>Efficacy</b>	83.3 lm/W (3000K)
<b>Optics</b>	Diffuse
<b>Finishes</b>	5 Standard, Custom RAL on request (4 Stage Marine Grade Finish)
<b>Fixture Dimensions</b>	Ø1.8" x 19.5", 31.3" or 43.1" h
<b>Fixture Weight</b>	0.48 lbs (19.5" h) 0.58 lbs (31.3" h) 0.68 lbs (43.1" h)
<b>LED Source</b>	8 Mid-Power LED Matrix
<b>Lumen Maintenance</b>	72,000 hrs L80, B10 (Ta 25°C)
<b>Color Consistency</b>	3-Step MacAdam
<b>Operating Temp.</b>	-4°F to +122°F
<b>IP Rating</b>	IP66
<b>Impact Resistance</b>	IK06

Fixture Dimensions



## ORDERING INFORMATION

Example: MM1100000050DI or MM1100000050DI-2. Power Supplies & Accessories ordered separately.

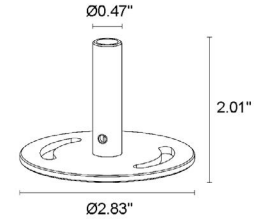
	<b>000</b>		<b>0D</b>		-	
<b>Model #</b>	<b>Accessories</b>	<b>CCT</b>	<b>Optics</b>	<b>Finish</b>		<b>Cable Length</b>
MM1000 - Mi 1.0 (19.5" h)	000 - None	0N - 2200K	0D - Diffuse	H - Anthracite		4.92' standard
MM1100 - Mi 1.1 (31.3" h)		0F - 2700K		T - Cor-ten		1 - 16.40'
MM1200 - Mi 1.2 (43.1" h)		05 - 3000K		5 - Jasper Green		2 - 32.81'
		09 - 4000K		E - White		
				I - Stainless Steel		
				C - Custom RAL (consult factory for "C")		

Job Name/Date:

Fixture Type Designation:

## ACCESSORIES

Installation - **REQUIRED**



### WDA33\_\_

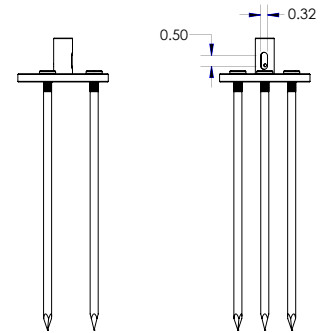
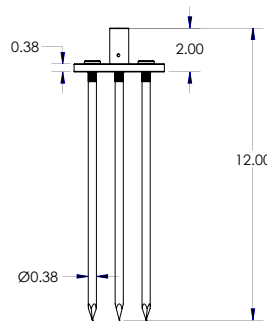
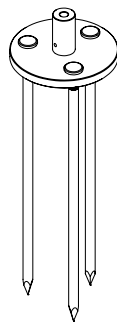
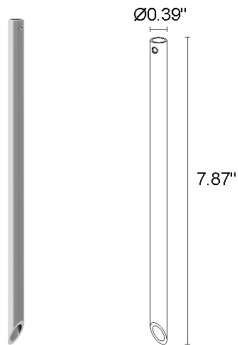
Fixing Base

Include one of the below finishes:

- E - White
- H - Anthracite
- T - Cor-ten
- 5 - Jasper Green
- I - Stainless Steel
- C - Custom RAL

## ACCESSORIES

Spikes and Arms



### WPA19

Single Spike  
for In-ground Installation

### AM-0026

3 Pronged Ground Spike  
for In-ground Installation

Job Name/Date:

Fixture Type Designation:

## SUGGESTED POWER SUPPLIES

24VDC

Part Number	Description	Input/Output	# of Fixtures
<a href="#">PPLT00543</a>	0-10V Dimming to 15% (-40°C / -40°F cold weather start)	120-277VAC to 24VDC, 100W, Class 2	10-80
<a href="#">PPLT00284</a>	Non-Dim	120-277VAC to 24VDC, 100W, Class 2, DAMP	1-80

## Suggested Lutron Compatible

Part Number	Option	Lutron SKU	Dim Range	Description	Input/Output	# of Fixtures
<a href="#">PPLT00530</a>	L3DAE / L3DA3W	L3DA	100%-1%	Hi-Lume™ 1% EcoSystem™ or 1% 3-Wire LED Driver	120-277VAC to 24VDC, 96W, Class 2	1-76

## DRIVERS IN NEMA 4X ENCLOSURE

Remote 24VDC - ELV / TRIAC / 0-10V



PPLT00715

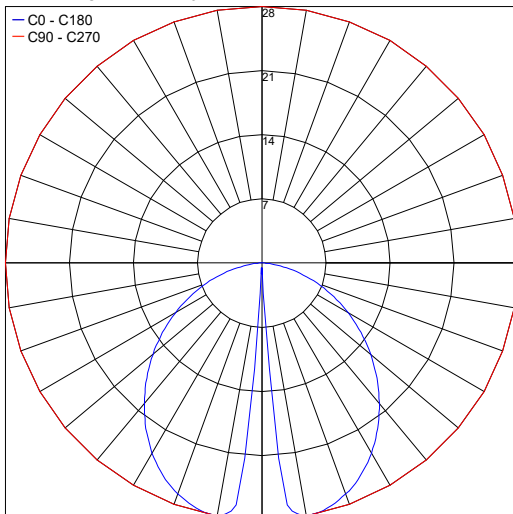
Part Number	Description	Input/Output	# of Fixtures
<a href="#">PPLT00715</a>	ELV / TRIAC / 0-10V Dimming to 0.1%	120-277VAC to 24VDC, 96W, Class 2, WET/DAMP	1-76

For other power supply options consult factory.

## PHOTOMETRIC DATA

Note: All photometry is 3000K

Maximum Candela = 27.9



PHOTOMETRIC FILENAME : MI\_1\_0\_3000K\_0.9W\_24VDC\_19.7IN.IES

Job Name/Date:

Fixture Type Designation: