

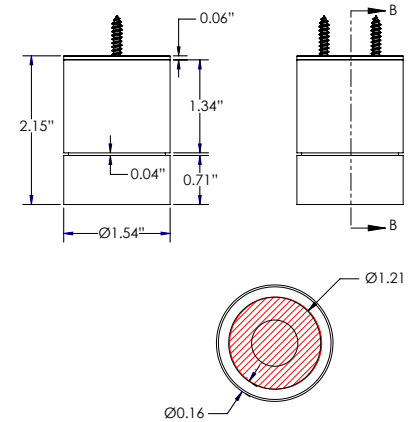
Micro is a miniature, surface mounted luminaire that can be installed on ceilings or walls. It is 1.5 inches in diameter, and available in 3 static white color temperatures with 4 standard finishes.



## TECHNICAL DATA

<b>Wattage</b>	4W
<b>Power Supply</b>	Remote 220mA, not included. See page 2 (Fixtures specified at 200mA)
<b>Construction</b>	Body: Aluminum Lens: Glass
<b>CCT</b>	2700K, 3000K, 4000K
<b>CRI</b>	>90
<b>Delivered Lumens</b>	Coming Soon
<b>Efficacy</b>	Coming Soon
<b>Optics</b>	15°, 24°, 36°
<b>LED Source</b>	BRIDGELUX GEN8 COB LED
<b>Finishes</b>	White, Black, Black Anodized, Silver Anodized, Custom RAL on request
<b>Fixture Dimensions</b>	Ø1.54" x 2.15" h
<b>IP Rating</b>	IP20

Fixture Dimensions



## ORDERING INFORMATION

Example: MIC-L-30-96-25-H-R-0. Power Supplies ordered separately.

MIC-L	-		-		-		-	R	-	0
Model #	CCT	Finish	Optics	Lens	Dimming / Driver	Options				
MIC-L	27 - 2700K 30 - 3000K 40 - 4000K	11 - White 02 - Black 97 - Black Anodized 96 - Silver Anodized C - Custom RAL	15 - 15° 24 - 24° 36 - 36°	H - Clear w/ Honeycomb C - Clear L - Linear	R - Remote Driver (Static White, Dim to Warm, RGBW)	0 - None				

Job Name/Date:

Fixture Type Designation:

## SUGGESTED POWER SUPPLIES

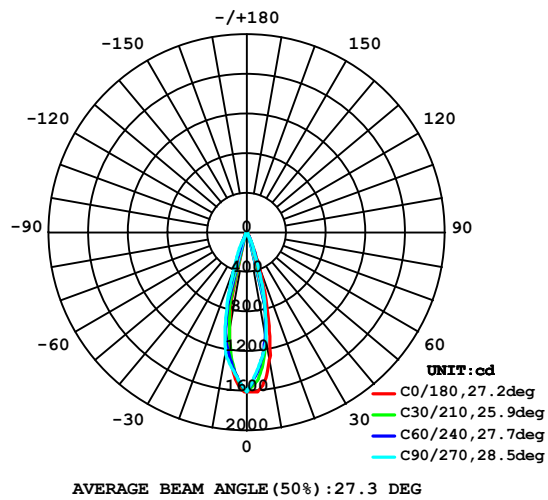
Static White - 220mA

Part Number	Description	Input/Output	# of Fixtures
<a href="#">PPLT00309-P</a>	0-10V Dimming to 0.1%	120-277VAC to 220mA, 50W, Class 2, DAMP	1-2
<a href="#">PPLT00467-P</a>	0-10V Dimming to 1.0%	120-277VAC to 220mA, 50W, Class 2, DAMP	1-2

For other power supply options consult factory.

## PHOTOMETRIC DATA

Note: Photometry is 3000K



Job Name/Date:

Fixture Type Designation: