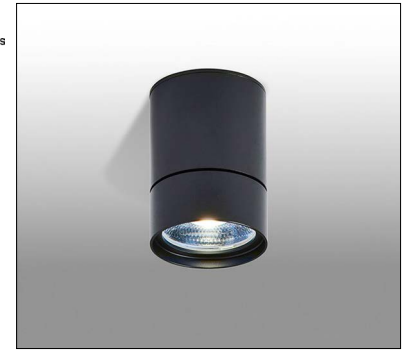


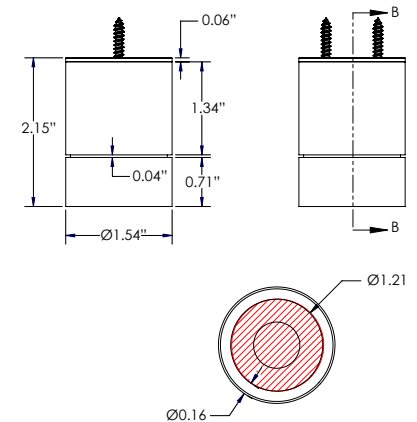
Micro is a miniature, surface mounted luminaire that can be installed on ceilings or walls. It is 1.5 inches in diameter, and available in 3 color temperatures, 5 optics options and 4 standard finishes.



TECHNICAL DATA

Wattage	4W
Power Supply	Remote 220mA, not included. See page 2
Construction	Body: Aluminum Lens: Glass
CCT	2700K, 3000K, 4000K
CRI	>90
Delivered Lumens	Coming Soon
Efficacy	Coming Soon
Optics	15°, 24°, 36°, 15°x60°, 15°x90°
LED Source	BRIDGELUX GEN8 COB LED
Finishes	White, Black, Black Anodized, Silver Anodized, Custom RAL on request
Fixture Dimensions	Ø1.54" x 2.15" h
IP Rating	IP20

Fixture Dimensions



ORDERING INFORMATION

Example: MIC-L-30-96-25-H-R-0. Power Supplies ordered separately.

MIC-L	-		-		-		-		R	-	0
Model #	CCT	Finish	Optics	Lens	Dimming / Driver	Options					
MIC-L	27 - 2700K 30 - 3000K 40 - 4000K	11 - White 02 - Black 97 - Black Anodized 96 - Silver Anodized C - Custom RAL	15 - 15° 24 - 24° 36 - 36° 60 - 15°x60° 90 - 15°x90°	H - Clear w/ Honeycomb C - Clear L - Linear	R - Remote Driver (Static White, Dim to Warm, RGBW)	0 - None					

Job Name/Date:

Fixture Type Designation:

SUGGESTED POWER SUPPLIES

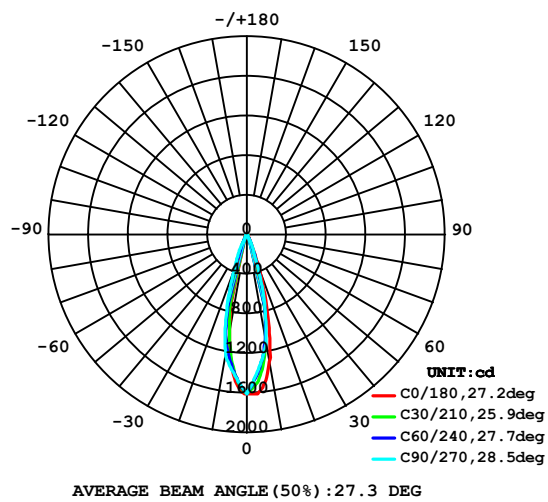
Static White - 220mA

Part Number	Description	Input/Output	# of Fixtures
PPLT00309-P	0-10V Dimming to 0.1%	120-277VAC to 220mA, 50W, Class 2, DAMP	1-2
PPLT00467-P	0-10V Dimming to 1.0%	120-277VAC to 220mA, 50W, Class 2, DAMP	1-2

For other power supply options consult factory.

PHOTOMETRIC DATA

Note: Photometry is 3000K



Job Name/Date:

Fixture Type Designation: