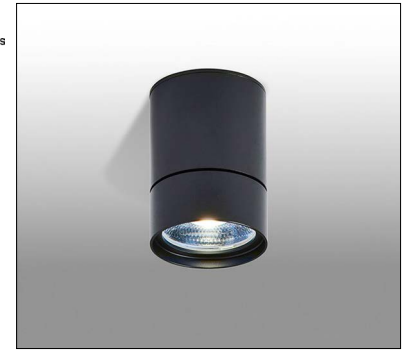


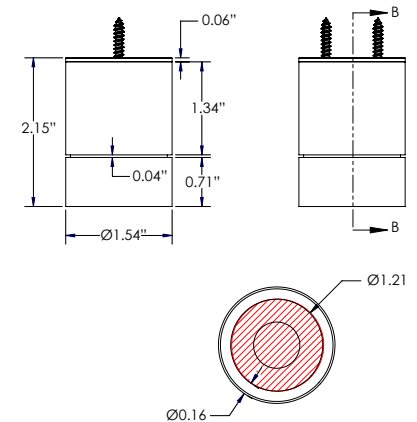
Micro is a miniature, surface mounted luminaire that can be installed on ceilings or walls. It is 1.5 inches in diameter, and available in 3 static white color temperatures with black or white standard finishes.



## TECHNICAL DATA

|                           |  |
|---------------------------|--|
| <b>Wattage</b>            | 4W   |
| <b>Power Supply</b>       | Remote 220mA, not included. See page 2 (Fixtures specified at 200mA) |
| <b>Construction</b>       | Body: Aluminum<br>Lens: Glass  |
| <b>CCT</b>                | 2700K, 3000K, 4000K  |
| <b>CRI</b>                | >90  |
| <b>Delivered Lumens</b>   | Coming Soon  |
| <b>Efficacy</b>           | Coming Soon  |
| <b>Optics</b>             | 15°, 24°, 36°  |
| <b>LED Source</b>         | BRIDGELUX GEN8 COB LED   |
| <b>Finishes</b>           | White or Black, Custom RAL on request                                |
| <b>Fixture Dimensions</b> | Ø1.54" x 2.15" h   |
| <b>IP Rating</b>          | IP20   |

Fixture Dimensions



## ORDERING INFORMATION

Example: MIC-L-30-96-25-H-R-0. Power Supplies ordered separately.

| MIC-L   | -                                      |  | -                                |  | -  |          | - | R | - | 0 |  |
|---------|--|--|----------------------------------|--|--|----------|---|---|---|---|--|
| Model # | CCT                                    | Finish                                     | Optics                           | Lens   | Dimming / Driver                                       | Options  |   |   |   |   |  |
| MIC-L   | 27 - 2700K<br>30 - 3000K<br>40 - 4000K | 11 - White<br>02 - Black<br>C - Custom RAL | 15 - 15°<br>24 - 24°<br>36 - 36° | H - Clear w/<br>Honeycomb<br>C - Clear<br>L - Linear | R - Remote Driver<br>(Static White, Dim to Warm, RGBW) | 0 - None |   |   |   |   |  |

Job Name/Date:

Fixture Type Designation:

## SUGGESTED POWER SUPPLIES

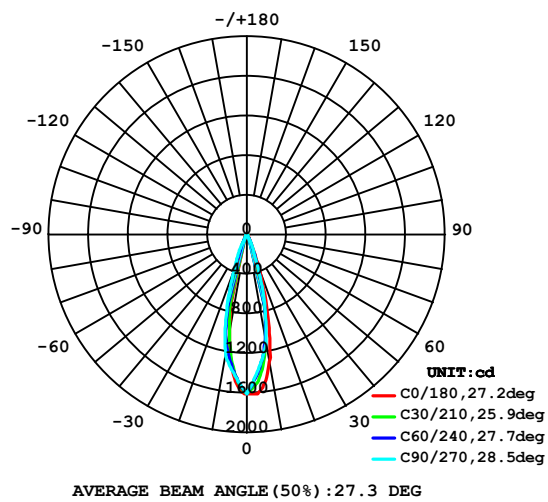
Static White - 220mA

| Part Number                 | Description           | Input/Output                            | # of Fixtures |
|-----------------------------|-----------------------|---|---------------|
| <a href="#">PPLT00309-P</a> | 0-10V Dimming to 0.1% | 120-277VAC to 220mA, 50W, Class 2, DAMP | 1-2           |
| <a href="#">PPLT00467-P</a> | 0-10V Dimming to 1.0% | 120-277VAC to 220mA, 50W, Class 2, DAMP | 1-2           |

For other power supply options consult factory.

## PHOTOMETRIC DATA

Note: Photometry is 3000K



Job Name/Date:

Fixture Type Designation: