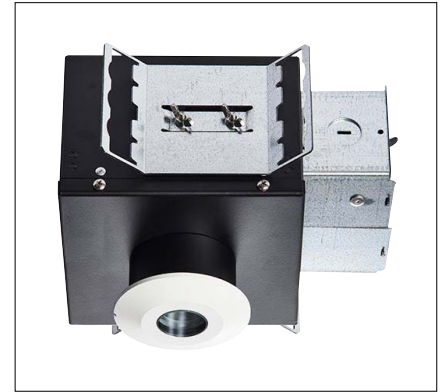


CDV DOWNLIGHT

The CDV downlight is a vandal resistant, IP65 wet label downlight that is IC and Chicago Plenum rated. It is available in static white or dim to warm with 2 optics options.



MADE IN THE U.S.A.

Fixture Dimensions
(see drawing on page 2)

TECHNICAL DATA

| | |
|---------------------------|---|
| Wattage | 9W (Static White) 6W (Dim to Warm) |
| Power Supply | Remote 350mA, not included. See page 2. |
| Construction | Body: 20 Ga. Cold Rolled Steel (Powder Black Finish) Neck: Die Cast Aluminum Lens: 3/16" Thick Clear or Opal Polycarbonate |
| CCT | 2700K, 3000K, 3500K, 4000K Dim to Warm (1800K-3000K) |
| CRI | 90 |
| Delivered Lumens | — |
| Efficacy | — |
| Optics | 25°, 35° |
| Finishes | 5 Standard, plus 4 Marine Grade. See Below. |
| Fixture Dimensions | Ø3.4" x 6.0 l x 5.7 h (see drawing on page 2) |
| Aperature | Ø1.3" |
| LED Source | BRIDGELUX COB (Static White & Dim to Warm) |
| IP Rating | IP65 |

ORDERING INFORMATION

Example: CDV-L26-DW-25-4-MTS-C-RMT-0. Power Supplies ordered separately.

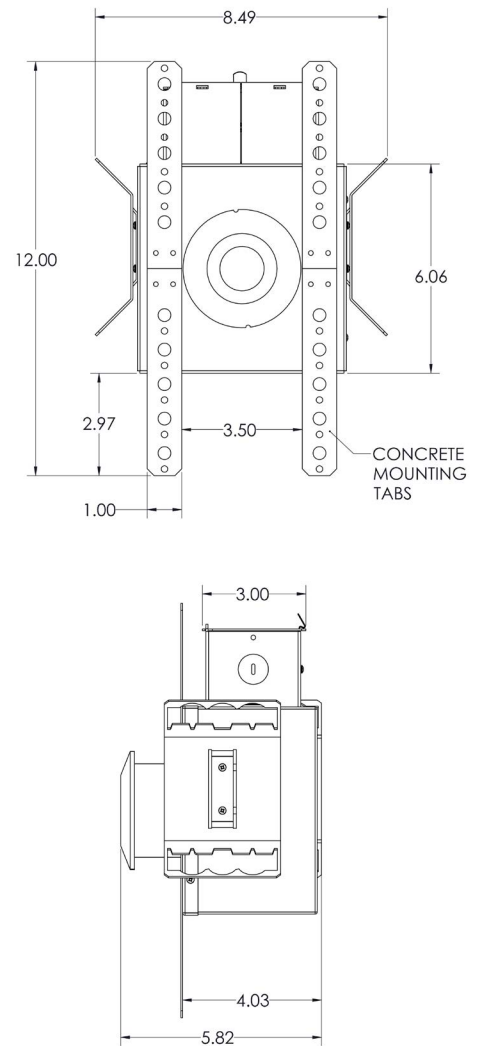
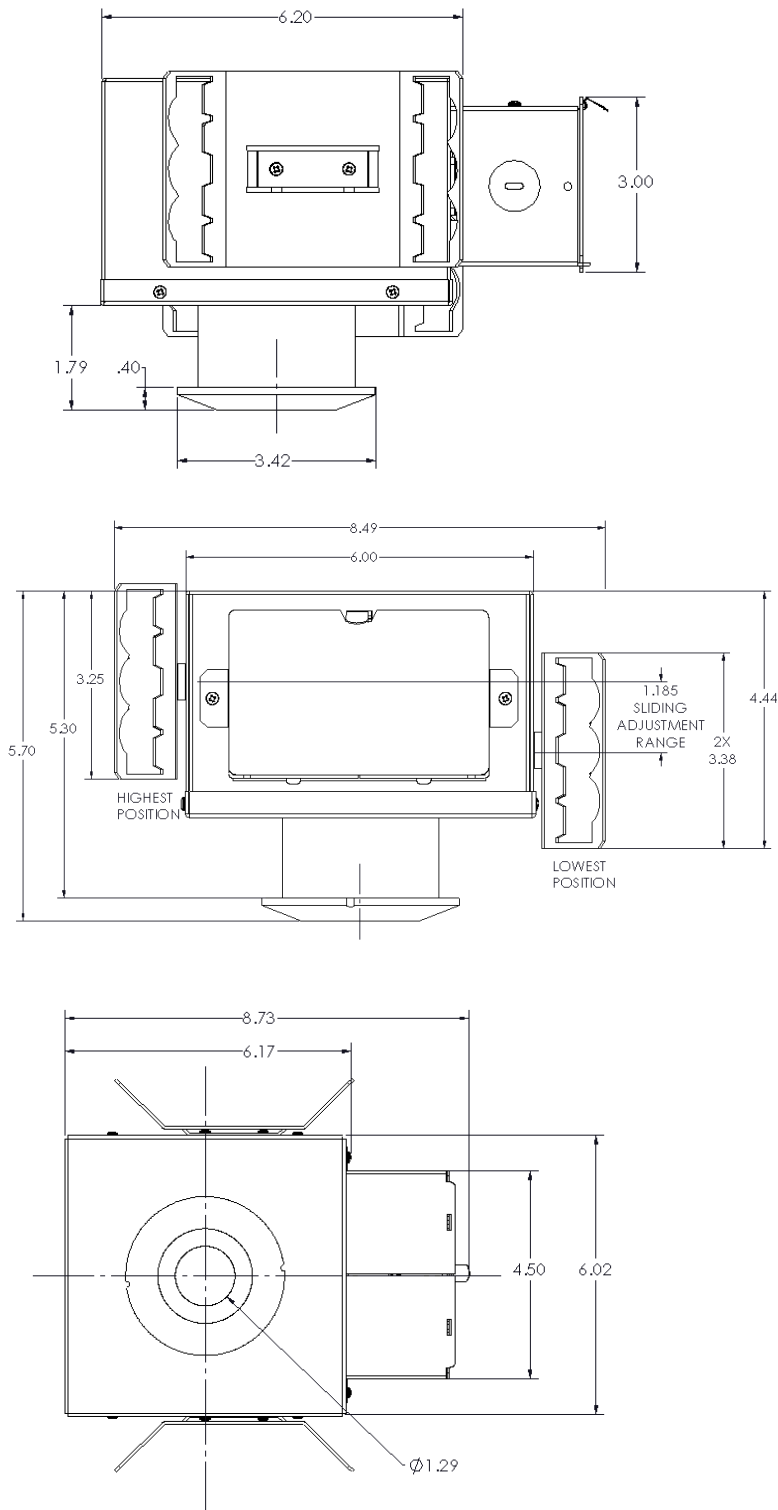
| CDV-L26 | - | | - | | - | | - | RMT | - | |
|---------|---|----------------------|---|---|-----------------------|--|------------------------------------|-----|---|--|
| Model # | CCT | Optics | Body | Finish | Lens | Dimming | Options | | | |
| CDV-L26 | 27 - 2700K 30 - 3000K 35 - 3500K 40 - 4000K DW - Dim Warm | 25 - 25° 35 - 35° | 4 - Fully Recessed IC Rated C - Fully Recessed Chicago Plenum V - Concrete Pour | 11 - White Suede 02 - Black Suede 18 - Tex. Bronze TS - Silver <i>Add prefix "M" to above colors for Marine Grade Clear Overcoat</i> PN - Polished Nickel <i>Marine Grade Clear Overcoat NOT available on Polished Nickel</i> | C - Clear X - Opal | RMT - Remote Required (See page 2 for power supply options) | 0 - None 4 - One Circuit Fusing | | | |

Job Name/Date:

Fixture Type Designation:

FIXTURE DIMENSIONS

CONCRETE POUR DRAWING



Job Name/Date:

Fixture Type Designation:

SUGGESTED POWER SUPPLIES

350mA - 9W Static White

| Part Number | Description | Input/Output | # of Fixtures |
|-----------------------------|--|---|---------------|
| PPLT00211 | Non-Dim | 120VAC to 350mA, 10W, Class 2 | 1-1 |
| PPLT00468 | Phase Dim (120V only) | 120-277VAC to 350mA, 14W, Class 2 | 1-1 |
| PPLT00263 | Leading / Trailing Edge Dimming to 10% (120V only) | 120-277VAC to 350mA, 40W, Class 2 | 1-1 |
| PPLT00309-P | 0-10V Dimming to 0.1% | 120-277VAC to 350mA, 50W, Class 2, DAMP | 1-1 |

Suggested Lutron Compatible

| Part Number | Option | Lutron SKU | Dim Range | Description | Input/Output | # of Fixtures |
|---------------------------|----------------|------------|-----------|--|-----------------------------------|---------------|
| PPLT00516 | L3DAE / L3DA3W | L3DA | 100%-1% | Hi-Lume™ 1% EcoSystem™ or 1% 3-Wire LED Driver | 120-277VAC to 350mA, 13W, Class 2 | 1-1 |

SUGGESTED POWER SUPPLIES

350mA - 6W Dim to Warm

| Part Number | Description | Input/Output | # of Fixtures |
|-----------------------------|--|---|---------------|
| PPLT00496 | Phase Dim (120V only) | 120-277VAC to 350mA, 12W, Class 2, DAMP | 1-1 |
| PPLT00263 | Leading / Trailing Edge Dimming to 10% (120V only) | 120-277VAC to 350mA, 32W, Class 2 | 2-2 |
| PPLT00214 | 0-10V Dimming to 10% | 120-277VAC to 350mA, 30W, Class 2, IP66 | 3-4 |
| PPLT00561-P | 0-10V Dimming to 0.1% | 120-277VAC to 350mA, 100W, Class 2 | 1-3 |

Suggested Lutron Compatible

| Part Number | Option | Lutron SKU | Dim Range | Description | Input/Output | # of Fixtures |
|---------------------------|----------------|------------|-----------|--|-----------------------------------|---------------|
| PPLT00247 | L3DAE / L3DA3W | L3DA | 100%-1% | Hi-Lume™ 1% EcoSystem™ or 1% 3-Wire LED Driver | 120-277VAC to 350mA, 7W, Class 2 | 1-1 |
| PPLT00516 | L3DAE / L3DA3W | L3DA | 100%-1% | Hi-Lume™ 1% EcoSystem™ or 1% 3-Wire LED Driver | 120-277VAC to 350mA, 13W, Class 2 | 2-2 |

For other power supply options consult factory.

PHOTOMETRIC DATA

Coming Soon

Job Name/Date:

Fixture Type Designation: