

LAME FLOWER POT

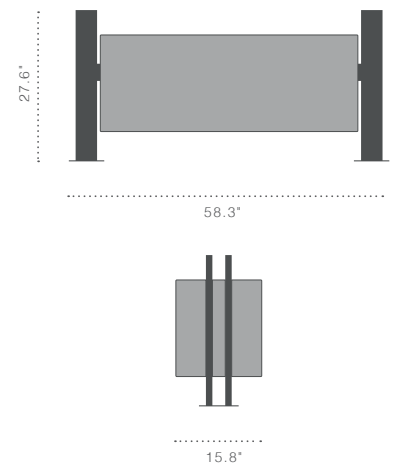
LAME Flower Pot is a rectangular planter from the LAME collection for outdoor spaces that allows for dynamic green zones in urban ecosystems. Made of stainless steel, it comes in 2 standard finishes and can be powder coated any RAL color. Ground fixed using base flange with expansion anchor.

TECHNICAL DATA

Construction	Body: Stainless Steel
Finishes	Silver, Anthracite Gray, Custom RAL Available
Fixture Dimensions	58.3" l x 15.8" d x 27.6" h
Weight	—
Capacity	—
Collection	LAME



Fixture Dimensions



ORDERING INFORMATION

Example: LAME-PLANTER.C.US.

LAME-PLANTER		US
Model No.	Finish	
LAME-PLANTER	S - Silver	US
	A - Anthracite Gray	
	C - Custom RAL	



Job Name/Date:

Fixture Type Designation: